

SCE-120

ECONOMY ROOF & GUTTER CONTROL

FEATURES & BENEFITS

- Automatic snow/ice melting control
- Detection of temperature and moisture
- Includes UL Listed wall mounted metal enclosure
- Easy to program and affordable
- Digital interface
- Can utilize both snow/ice sensors (Slab and gutter mounted)
- CSA Certified for use in Canada and US
- 2 zone control, individually controlled at the same time. Can control a snow melt and roof & gutter system independently
- Economical control - minimizing energy consumption
- Adjustable moisture sensitivity



Energy Efficient



Digital Interface

Easy to Operate



SCE-120

ECONOMY ROOF & GUTTER CONTROL

About the Economy Roof & Gutter Control

An intelligent all-in-one solution for ice and snow melting for use in all applications. Optimal operation is ensured due to output control which makes the system both effective and economical. SCE offers you the possibility of roof and gutter deicing - the green way.

Using readings from temperature and moisture sensors, the controller ensures economical control of power consumption when keeping roofs and gutter free of ice and snow. The moisture sensor is installed in the gutter. As soon as the outdoor temperature is below the selected setting and moisture is detected, the SCE controller activates the snow melting system. Once the sensor has dried out, the thermostat immediately goes into after-run mode and the system will continue to provide heat for a predetermined amount of time. This way the system will consume energy only when it's absolutely needed.

Comes complete with approved wall-mounting box and terminals for easy power supply connections. Installation must be performed in accordance with National and local codes. For use with SCE-AMB-SS and SCE-GTM-SS sensors, this affordable control option is easy to program and includes a digital interface and maximum 2 sensor capability. Can operate two independent zones: Snow melting or roof and gutter deicing, or both. The SCE-120 is CSA Certified for use in Canada and the U.S.

PRODUCTS



SCE-120
Economy Roof
& Gutter Control



SCE-GTM-SS
Gutter sensor



SCE-AMB-SS
Ambient Air
Temperature Sensor

SCE-120

ECONOMY ROOF & GUTTER CONTROL

Specifications

SCE-120 Economy Snow/Ice Melt Control

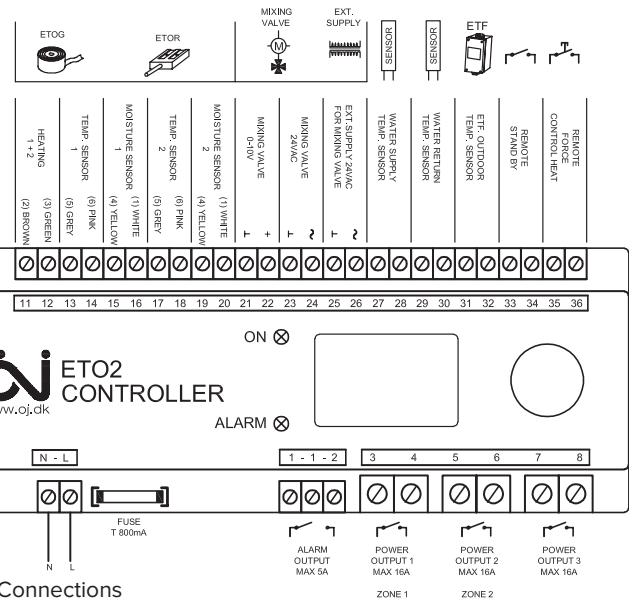
| | |
|---|--|
| Supply voltage | 120-240 V ±10%, 50-60 Hz |
| Temperature range | 0/+10°C |
| Built-in timer for manual snow melting / afterrun | 0-18 hours |
| Output relays | 3 x 16 A potential-free relays |
| 2-zone application | Via 2 x 16 A potential-free output relays |
| Hydronic system | Control of 3 or 4 way valve, primary pump, |
| Display | Graphic, backlit |
| Ambient temperature | 0/+50°C |
| Housing / incl. cover | IP20 |
| Weight | 495 g |
| Dimensions excl. cover (H/W/D) | 90/156/45 mm |
| Dimensions incl. cover (H/W/D) | 170/162/45 mm |
| LED indication: | |
| ON/Green | Thermostat energized |
| Error/Red | Fault |

SCE-GTM-SS gutter sensor:

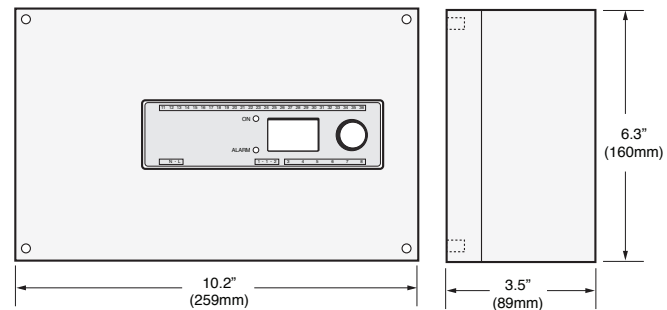
| | |
|---------------------|--------------------|
| Measurement | Moisture |
| Installation | Gutter or downpipe |
| Housing | IP68 |
| Ambient temperature | -50/+70°C |
| Dimensions (H/W/D) | 105/30/13 mm |

SCE-AMB-SS Ambient Air temperature sensor:

| | |
|---------------------|--------------|
| Measurement | Temperature |
| Installation | Wall surface |
| Housing | IP54 |
| Ambient temperature | -50/+70°C |
| Dimensions (H/W/D) | 86/45/35 mm |



Connections



ORDERING

Snow/Ice Sensors (Not Included)

| | |
|------------|----------------------------|
| SCE-GTM-SS | Gutter Sensor |
| SCE-AMB-SS | Ambient Temperature Sensor |

LIMITED WARRANTY

WarmlyYours' two year limited warranty covering defects in workmanship and materials applies. Contact WarmlyYours at (800) 875-5285 or go to www.WarmlyYours.com for complete information.

For more information, operating and technical manuals, please refer to www.warmlyyours.com.

**Product specifications are subject to change.*