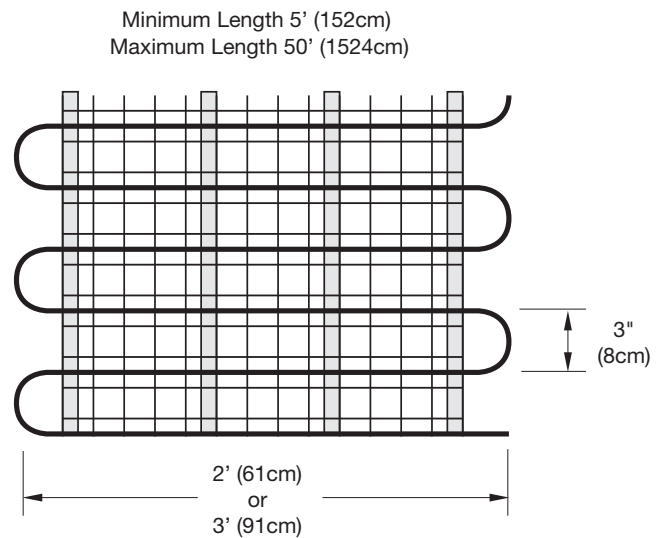
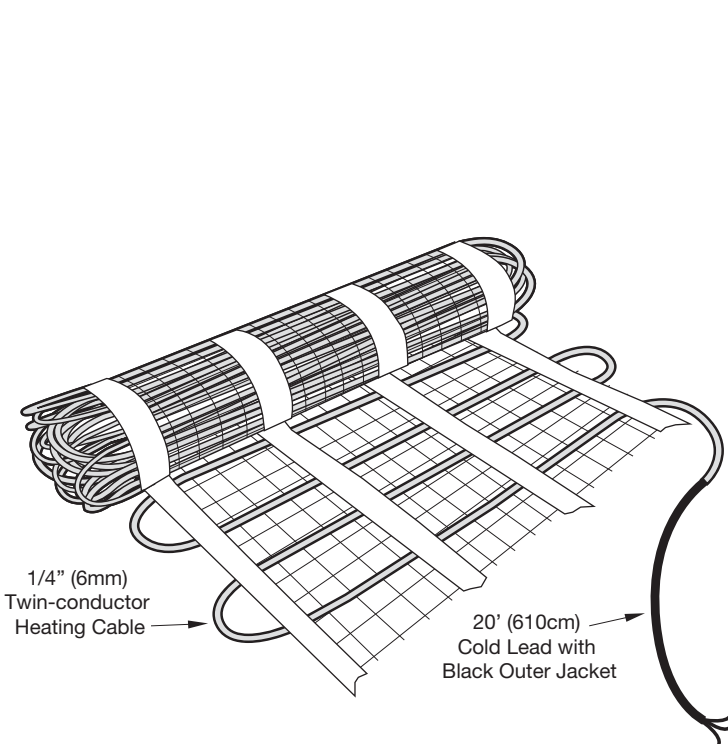




FEATURES & BENEFITS

- Installs in asphalt, concrete, or under pavers in mortar
- Available in 2' (61cm) and 3' (91cm) widths
- From 5' (152cm) to 50' (1524cm) in length
- Quick and easy to install
- Rated to a maximum temperature of 464°F (240°C)
- Offered in 120V or 240V configurations
- CSA Certified for use in Canada and US
- Energy efficient twin-conductor heating cable spaced 3" (76mm) apart



COLD LEAD COLOR CHART

Voltage	Cold Lead Colors
120V	Yellow (neutral)
	Black (hot)
	Green-Yellow (ground)
240V	Red (hot)
	Black (hot)
	Green-Yellow (ground)

DESCRIPTION

WarmlyYours snow melt mats installs under concrete, asphalt or pavers. Offered in 120V and 240V configurations for use in residential and commercial applications. Each mat features a 1/4" (6mm) diameter twin-conductor series resistance constant wattage cable spaced 3" (8cm) apart for energy efficient operation. The cable spacing produces 50 watts per square foot (538 watts per square meter) on average for dependable and efficient snow melt performance. Heating cable affixed to plastic mesh backing with four sections of

1" (25 mm) wide single-sided adhesive tape equally spaced from both sides. Available in 2' (61cm) and 3' (91cm) widths in lengths from 5' (152cm) to 50' (1,524cm) to provide coverage for a wide range of projects. Equipped with 14 AWG 20' (610cm) of cold lead. Wires are color coded 120V yellow/neutral, black/hot and green-yellow/ground; 240V systems are coded black/hot, red/hot, green-yellow/ground. All mats are CSA certified for use in Canadian and US markets.



SPECIFICATIONS

Part #:	Size (ft/cm)	Voltage	Area (ft ² /m ²)	Total Ohms	Total Watts	Amps	Heated Cable Length (ft/m)	*Weight (lbs./kg)
120V								
WHMA-120-0205	2' x 5' (61 x 152cm)	120	10 (.93m ²)	28.8	500	4.17	42.77' (13.04m)	2.9 (1.3 kg)
WHMA-120-0305	3' x 5' (91 x 152cm)	120	15 (1.39m ²)	19.2	750	6.25	62.78' (19.14m)	4.4 (2.0 kg)
WHMA-120-0210	2' x 10' (61 x 304cm)	120	20 (1.86m ²)	14.4	1,000	8.33	85.54' (26.07m)	5.0 (2.3 kg)
WHMA-120-0310	3' x 10' (91 x 304cm)	120	30 (2.79m ²)	9.6	1,500	12.50	125.56' (38.27m)	6.6 (3.0 kg)
WHMA-120-0215	2' x 15' (61 x 457cm)	120	30 (2.79m ²)	9.6	1,500	12.50	128.31' (39.11m)	6.6 (3.0 kg)
WHMA-120-0315	3' x 15' (91 x 457cm)	120	45 (4.18m ²)	6.4	2,250	18.75	188.34' (57.41m)	9.0 (4.1 kg)
240V								
WHMA-240-0210	2' x 10' (61 x 152cm)	240	20 (1.86m ²)	57.6	1,000	4.17	85.54' (26.07m)	4.4 (2.0 kg)
WHMA-240-0215	2' x 15' (61 x 457cm)	240	30 (2.79m ²)	38.4	1,500	6.25	128.31' (39.11m)	6.6 (3.0 kg)
WHMA-240-0220	2' x 20' (61 x 610 cm)	240	40 (3.72m ²)	28.8	2,000	8.33	171.08' (52.15m)	8.4 (3.8 kg)
WHMA-240-0230	2' x 30' (61 x 914cm)	240	60 (5.57m ²)	19.2	3,000	12.50	256.63' (78.22m)	11.4 (5.2 kg)
WHMA-240-0240	2' x 40' (61 x 1219cm)	240	80 (7.43m ²)	14.4	4,000	16.67	342.17' (104.29m)	15.2 (6.9 kg)
WHMA-240-0250	2' x 50' (61 x 1524cm)	240	100 (9.29m ²)	11.5	5,000	20.87	427.71' (130.37m)	19.0 (8.6 kg)
WHMA-240-0310	3' x 10' (91 x 152cm)	240	30 (2.79m ²)	38.4	1,500	6.25	125.56' (38.27m)	6.6 (3.0 kg)
WHMA-240-0315	3' x 15' (91 x 457cm)	240	45 (4.13m ²)	25.6	2,250	9.38	188.34' (57.41m)	9.0 (4.1 kg)
WHMA-240-0320	3' x 20' (91 x 610cm)	240	60 (5.57m ²)	19.2	3,000	12.50	251.12' (76.54m)	11.4 (5.2 kg)
WHMA-240-0330	3' x 30' (91 x 914cm)	240	90 (8.36m ²)	12.8	4,500	18.75	376.68' (114.81m)	17.2 (7.8 kg)

* Shipping weights may vary

ORDERING INFORMATION

Identify the size and voltage required and order the corresponding part number listed on the chart above.

LIMITED WARRANTY

WarmlyYours 10-year limited warranty covering defects in workmanship and materials applies. WarmlyYours limited warranty requires the product to be installed by a qualified person, in accordance with WarmlyYours installation guidelines, and only in applications approved by WarmlyYours, as stated in this document. Contact your Account Manager for complete warranty information.

This document is the property of WarmlyYours. Subject to change without notice.

10213 6/09