



WARMLYYOURS
RADIANT HEATING

590 Telser Road
Lake Zurich, IL 60047
Ph. (800) 875-5285 Fax (800) 408-1100
Web. www.WarmlyYours.com

SCE-120 INSTRUCTIONS MANUAL

Dear Customer,

Thank you for purchasing your radiant heating control from WarmlyYours. The Instructions Manual for this control is attached. WarmlyYours is dedicated to making comfort easy and we continually strive to provide our customers with the best controls in the industry.

WarmlyYours sells this product under part number SCE-120. The control's manufacturer identifies this same part with the model number of ETO2 in all the documentation provided with the control.

If you have any technical questions related to this control or the installation of any of our radiant heating systems, please call our 24/7 installation team at (800) 875-5285 or visit our website at www.WarmlyYours.com.

WarmlyYours
Technical Team

10291-A 1/14



Type ETO2

Controller for ice and snow melting



67 221 12/13 (JRK)
© 2013 OJ Electronics A/S

English
Français

INSTRUCTIONS

English.....	3 - 6
Français.....	7 - 12

USER MANUALS

English.....	13 - 20
Français.....	21 - 28

MENU OVERVIEW

Menu overview	29
---------------------	----

ILLUSTRATIONS

Illustrations	30 - 35
---------------------	---------



English Instruction



ETO2 is an electronic controller for fully automatic, economical ice and snow melting on outdoor surfaces and in gutters. Ice forms due to a combination of low temperature and moisture. ETO2 detects both temperature and moisture, and the ice and snow melting system will usually only be activated if ice or snow is present. ETO2 is suitable for controlling both electric heating cables and hydronic heating pipes.

Product programme

ETO2-4550	Thermostat.
ETOG-55	Ground sensor for detecting temperature and moisture.
ETOG-56/ETOK-1	Embedded ground sensor for detecting temperature and moisture.
ETOR-55	Gutter sensor for detecting moisture.
ETF-744/99	Outdoor sensor for detecting temperature.
ETF-522	Water pipe sensor for detecting temperature.

WARNING! – Read this manual!

Carefully read this instruction manual in its entirety, paying close attention to all the warnings listed below. Make sure that you fully understand the use, displays and limitations of the controller because any confusion resulting from neglecting to follow this instruction manual, or from improper use of the device it concerns, may cause an installer to commit errors which could lead to ice and snow conditions capable of causing serious injury or death.


WARNING! – Note that snow, ice and icicles may be present even though you follow the instructions contained in this manual.

You are strongly advised to monitor any unexpected build-up of snow, ice or icicles. As an additional safety measure, you should always perform a manual inspection of public areas in order to ensure safe access to the controlled areas.

WARNING! – Important safety instructions.

Disconnect the power supply before carrying out any installation or maintenance work on this control unit and

associated components. This control unit and associated components should only be installed by a competent person (i.e. a qualified electrician). Electrical installation must be in accordance with appropriate statutory regulations.

 **NOTE!** – The output relays are potential free. The installer must connect a power source, e.g. from an electrical panel.

CE MARKING FOR EU

OJ Electronics A/S hereby declares that the product is manufactured in accordance with Council Directive 2004/108/EC on electromagnetic compatibility (and subsequent amendments) and Council Directive 2006/95/EEC on electrical equipment designed for use within certain voltage limits.

Applied standards

ETO2-4550-EU28:	CE marking LVD/EMC: EN60730-2-9
ETO2-4550-US28:	CAN/CSA E 60730-2-9:01.
ETO2-4550-RU28:	CE marking LVD/EMC: EN60730-2-9

The product may only be used if the complete installation complies with current directives.

The product carries a manufacturer's warranty if installed in accordance with these instructions and current regulations. If the product has been damaged in any way, e.g. during transport, it must be inspected and checked by authorised personnel before being connected to the power supply.

TECHNICAL DATA

Thermostat ETO2-4550:

Designed for indoor mounting only!

Supply voltage.....	115/240 V AC \pm 10%, 50-60 Hz
Supply voltage for ETOG/ETOR heating (SMPS) ..	28 V DC, 8 VA
3 output relays (potential-free contact, NO)	3 X 16 A
Alarm relay (potential-free contact, NO)	max. 5 A
Control signal to actuator (mixing valve)	0-10 V DC

Supply voltage to actuator (mixing valve)	max. 48 V AC/DC / max. 2 A
On/off differential.....	1.8°F / 1°C
Temperature range	-4/+50°F / -20/+10°C
Ambient temperature.....	32/122°F / 0/+50°C
Ambient air humidity	10-95%
Enclosure rating.....	Nema 1- IP 20
Weight	17.46 oz - 600 g
Dimensions H/W/D.....	3.54/6.14/1.77 Inches - 90/156/45 mm
Type	1B
Control pollution degree	2
Rated impulse voltage.....	4 kV

Ground sensor - type ETOG-55:

Designed to be embedded in outdoor surfaces.

Detection	Moisture and temperature
Mounting	Outdoor surfaces
Enclosure rating.....	NEMA 6P - IP 68
Ambient temperature.....	-57/+158°F / -50/+70°C
Dimensions H/Ø.....	1.26/2.36 Inches - 32/60 mm

Ground sensor - ETOG-56/ETOK-1:

Designed to be embedded in outdoor surfaces.

Detection	Moisture and temperature
Mounting	Outdoor surfaces
Enclosure rating.....	NEMA 6P - IP 68
Ambient temperature	-57/+158°F / -50/+70°C
Dimensions, sensor H/Ø	1.26/2.36 Inches - 32/60 mm
Dimensions, tube H/Ø.....	3.07/2.50 Inches - 78/63,5 mm

Gutter sensor - type ETOR-55:

Designed to be mounted in gutter or downpipe. Is used together with outdoor sensor type ETF-744/99.

Detection	Moisture
Mounting	Gutter or downpipe
Enclosure rating.....	NEMA 6P - IP 68
Ambient temperature.....	-57/+158°F / -50/+70°C
Dimensions H/W/D.....	4.13/1.18/0.51 Inches - 105/30/13 mm

Outdoor sensor - ETF-744/99:

Detection	Temperature
Mounting	Wall
Enclosure rating.....	NEMA 3 - IP 54
Ambient temperature.....	-57/+158°F / -50/+70°C
Dimensions H/W/D.....	3.39/1.77/1.38 Inches - 86/45/35 mm

Water pipe sensor - ETF-522:

Detection	Temperature
-----------------	-------------

Mounting	Strapped to pipe
Enclosure rating.....	NEMA 3 - IP 54
Ambient temperature.....	-40/+248°F / -40/+120°C
Dimensions Ø/L	0,26/1.97 Inches - 6,5/50 mm



NOTE: The snow and ice melting system is deactivated in the event of sensor failure - regardless of sensor type.

SENSOR INSTALLATION

Ground sensor - ETOG, figs 1+3:

For installation in outdoor surfaces where ice and snow are a regular problem. The sensor must be embedded horizontally with its top flush with the surrounding surface.

The sensor cable must be installed in accordance with current regulations.

NOTE: We strongly recommend the use of cable pipes in order to protect the sensor cable. Detailed installation instructions are supplied with the sensor.

With ETOG-55, use the accompanying installation plate.

With ETOG-56, use the ETOK-1 mounting kit.



NOTE: Remove the installation plate from ETOG-55 before initial start-up.

Gutter sensor - ETOR, figs 2+4:

For installation in a gutter or downpipe on the sunny side of the building. It is important to ensure that the sensor contact elements face against the flow of melt water. If necessary, two sensors can be installed in parallel. Detailed installation instructions are supplied with the sensor.



Note that the pink and grey wires are not used.

Outdoor sensor - ETF-744/99, figs 2+4:

Although ETF is designed for use with gutter sensor ETOR, it can also be used separately for the detection of temperature alone. The sensor should be mounted on the wall beneath the eaves on the north side of the building.

Water pipe sensor - ETF-522:

Is only used with hydronic heating systems to detect the temperature of the supply and return water. Must be fastened to the pipe directly with strips.

Sensor cables:

With the exception of ETOG-56, which has a 32.8 ft (10 m) cable, ETOG and ETOR sensors are supplied with a 82.02 ft

(25 m) cable, which can be extended up to approx. 656 ft - (200 m) using standard installation cable: 6x16 AWG (6x1.5 mm²) for ETOG and 4x16 AWG (4x1.5 mm²) for ETOR. The ETF cable can be extended up to approx. 164 ft (50 m) in length. Sensor cables must be installed in accordance with current regulations. They must never be installed parallel to power cables as electrical interference may distort the sensor signal.

ETO2:

The unit is intended to be DIN-rail mounted in an approved panel.

Wall mounting:

For USA and Canada: The thermostat can be wall-mounted in a specially designed and UL-approved metal box (accessory).

The accompanying plastic cover can be used for wall mounting in an indoor area.

Connect supply voltage to terminals N and L. All electrical and mechanical installation must be performed in accordance with applicable local regulations.

SETUP, ELECTRIC HEATING

- **1-zone electric heating control with ETOG (figs 3+6):**
Connect 1 or 2 ETOG sensors to terminals 11-20.
Connect heating cable to potential-free output relays 1, 2 and 3 according to fig. 8.
- **1-zone electric heating control with ETOR + ETF (figs 4+7):**
Connect 1 or 2 ETOR sensors to terminals 11-20.
Note that the pink and grey wires are not used.
Connect 1 ETF sensor to terminals 31-32.
Connect heating cable to potential-free output relays 1, 2 and 3 according to fig. 8.
- **2-zone electric heating control with ETOG (figs 3+6):**
Connect 2 ETOG sensors to terminals 11-20.
Connect heating cable for zone 1 to potential-free output relay 1 according to fig. 8.
Connect heating cable for zone 2 to potential-free output relay 2 according to fig. 8.
- **2-zone electric heating control with ETOR (figs 4+7):**
Connect 2 ETOR sensors to terminals 11-20.
Note that the pink and grey wires are not used.
Connect heating cable for zone 1 to potential-free output

relay 1 according to fig. 8.

Connect heating cable for zone 2 to potential-free output relay 2 according to fig. 8.

- **2-zone electric heating control with ETOG and ETOR (figs 5+6+7):**

Connect 1 ETOG sensor to terminals 11-16 as sensor 1.

Connect 1 ETOR sensor to terminals 17-20 as sensor 2.

Note that the pink and grey wires are not used.

Connect heating cable for zone 1 (ground) to potential-free output relay 1 according to fig. 8.

Connect heating cable for zone 2 (roof) to potential-free output relay 2 according to fig. 8.

- **1-zone electric heating control with output control (Y/Δ) (figs 6+9+10):**

Advanced 2-stage control with ETOG. 1/3 power on heating cables in afterrun.

Connect 1 or 2 ETOG sensors to terminals 11-20.

Connect external contactor/relays to potential-free output relays 1, 2 and 3 according to fig. 10.

SETUP, HYDRONIC HEATING

- **1-zone hydronic heating control for controlling the supply water temp. with mixing valve (figs 6+11+13+16):**
Connect 1 or 2 ETOG sensors to terminals 11-20 (fig. 6).
Connect supply voltage (24 V AC) for mixing valve to terminals 25-26 (fig. 13).
Connect mixing valve to terminals 21-24 (fig. 13).
Connect ETF-522 supply and return sensors to terminals 27-30 (fig. 16).
Connect primary pump to potential-free output relay 1 according to fig. 14.
Connect secondary pump to potential-free output relay 2 according to fig. 14.
- **1- or 2-zone hydronic heating control, simple (figs 3+6+12):**
Connect 1 or 2 ETOG sensors to terminals 11-20 (fig. 6).
Connect circulation pump for zone 1 to potential-free output relay 1 according to fig. 14.
If zone 2 is used, connect circulation pump for zone 2 to potential-free output relay 2 according to fig. 14.
Same application setup as for 1- or 2-zone electric heating control, see User Manual, Startup.

REMOTE CONTROL (fig. 15):

The forced heat and standby functions can be remotely controlled by wiring ETO2 to external buttons/relays (normally open). Connect external standby button to terminals 33-34. Connect external forced heat button to terminals 35-36.

TESTING SNOW MELTING SYSTEM

After completing installation and application setup, it is recommended that the snow melting system is tested.

1. Adjust SET TEMP in the setup menu to max. temperature.
2. Pour some water onto the sensor (ETOG/ETOR).
3. The output relay for the heating cable in the zone concerned should activate and ON should be indicated on the ETO2 display. Check that the heating cable becomes warm, check the voltage if possible.
4. After testing, adjust SET TEMP back to the desired setting (factory setting = +3.0°C / 37.4°F).

WIRING (fig. 16):

TERMINAL	COLOUR CODE	WIRING
N, L		Supply voltage, 115-240 V AC 50/60 Hz
1, 2		Alarm relay (potential-free), max. 5 A
3, 4		Output relay 1, 16 A (potential-free), Heating cable 1 (zone 1) / Primary pump
5, 6		Output relay 2, 16 A (potential-free), Heating cable 2 (zone 2) / Secondary pump
7, 8		Output relay 3, 16 A (potential-free), Heating cable 3
11, 12	brown/green	Sensor heating 1+2, ETOG 1+2 and ETOR 1+2
13, 14	grey/pink	Temperature sensor, ETOG 1
15, 16	yellow/white	Moisture sensor 1, ETOG 1/ETOR 1
17, 18	grey/pink	Temperature sensor, ETOG 2
19, 20	yellow/white	Moisture sensor 2, ETOG 2 /ETOR 2
21, 22		3- or 4-way mixing valve, 0-10 V
23, 24		3- or 4-way mixing valve, 24 V AC
25, 26		24 V AC from external supply for 3- or 4-way mixing valve
27, 28		Supply water temperature sensor, ETF-522

29, 30	Return water temperature sensor, ETF-522
31, 32	Outdoor temperature sensor, ETF
33, 34	Standby, external input
35, 36	Forced control heat, external input

**ETOR SENSOR WIRES :**

Note that the pink and grey wires are not used.

Environment protection and recycling

Help protect the environment by disposing of the packaging and redundant products in a responsible manner.

Product disposal

Products marked with this symbol must not be disposed of along with household refuse, but must be delivered to a waste collection centre in accordance with current local regulations.

Figures

- Fig. 1 Installation of ETOG ground sensor
1 Sensor
2 Installation plate
3 Heating element
- Fig. 2 Installation of ETOR gutter sensor and ETF outdoor sensor
1 Thermostat ETO2
2 Gutter sensor
3 Outdoor sensor
- Fig. 3 1-zone electric heating with ETOG sensor
- Fig. 4 1-zone electric heating with ETOR/ETF sensor
- Fig. 5 2-zone electric heating (roof/ground)
- Fig. 6 ETOG connection
- Fig. 7 ETOR connection
- Fig. 8 Heating cable connection, example
- Fig. 9 2-stage electric heating control (Y/Δ)
- Fig. 10 Advanced 2-stage connection (Y/Δ)
- Fig. 11 1-zone hydronic heating control for control of supply water temp. with mixing valve
- Fig. 12 1- or 2-zone hydronic heating control, simple (same application setup as 1- or 2-zone electric heating control)
- Fig. 13 Hydronic mixing valve connection
- Fig. 14 Hydronic pump connection
- Fig. 15 Connections for remote control of standby and forced heat
- Fig. 16 ETO2 controller, terminal overview



Français Instruction



ETO2 est un contrôleur électronique pour la fonte totalement automatique et économique de la glace et la neige sur les surfaces extérieures et dans les gouttières. La glace se forme en cas de basses températures et d'humidité. L'ETO2 détecte autant la température que l'humidité et le système de fonte de glace et de neige ne sera habituellement activé que si de la neige ou de la glace sont présentes. L'ETO2 est adéquat pour contrôler des câbles chauffants électriques et des conduites de chauffage hydroniques.

Gamme de produits

ETO2-4550	Thermostat.
ETOG-55	Sonde de sol pour détecter l'humidité et la température.
ETOG-56/ETOK-1	Sonde de sol encastrée pour détecter l'humidité et la température.
ETOR-55	Sonde de gouttière pour détecter l'humidité.
ETF-744/99	Sonde extérieure pour détecter la température.
ETF-522	Sonde de conduite d'eau pour détecter la température.

ATTENTION! – Lisez ce manuel !

Lisez attentivement tout ce manuel d'instruction en portant attention à tous les avertissements cités plus bas. Assurez-vous de bien comprendre l'utilisation, les affichages et les limites du contrôleur, car toute confusion découlant de la négligence de suivre ce manuel d'instruction, ou d'un usage incorrect de l'appareil concerné, peut entraîner l'installateur à commettre des erreurs qui peuvent conduire à des conditions de glace et de neige pouvant entraîner de sérieuses blessures ou la mort.

ATTENTION! – Notez que de la neige, de la glace et des glaçons peuvent être présents même si vous suivez les instructions contenues dans ce manuel.

Nous vous incitons fortement à contrôler toute accumulation inattendue de neige, de glace ou de glaçons. Comme mesure

de protection supplémentaire, vous devriez toujours effectuer une inspection manuelle des endroits publics afin d'assurer la sécurité de l'accès aux endroits contrôlés.



ATTENTION! – Instructions importantes pour la sécurité.

L'alimentation doit être débranchée avant toutes interventions d'installation ou d'entretien de cet appareil et ses composants. Cet appareil de contrôle et ses composants doivent être installés par une personne qualifiée (c.-à-d. un électricien qualifié). L'installation électrique doit être conforme aux réglementations en vigueur.



NOTE ! – Les relais de sortie sont libres de potentiel.

L'installateur doit raccorder une source d'alimentation, par ex. d'un panneau électrique.

MARQUAGE EC POUR UE

OJ Electronics A/S déclare par la présente que le produit est fabriqué conformément à la Directive 2004/108/CE du conseil (et des amendements subséquents) à propos de la compatibilité électromagnétique et de la Directive 2006/95/CE du conseil à propos des équipements électriques conçus avec certaines limites de tension.

Normes appliquées

ETO2-4550-EU28: Marquage CE LVD/EMC : EN60730-2-9
ETO2-4550-US28: CAN/CSA E 60730-2-9:01.
ETO2-4550-RU28: Marquage CE LVD/EMC : EN60730-2-9

Ce produit ne peut être utilisé que si toute son installation respecte les présentes directives.

Le produit est garanti par le fabricant s'il est installé conformément aux instructions et à la réglementation courante. Si le produit a été endommagé de quelque manière que ce soit, par exemple lors du transport, il doit être contrôlé et vérifié par du personnel autorisé avant tout raccordement à l'alimentation électrique.

CARACTÉRISTIQUES TECHNIQUES**Thermostat ETO2-4550:**

Conçu pour un montage intérieur uniquement !

Tension d'alimentation..... 115/240 V CA \pm 10 %, 50-60 Hz

Tension d'alimentation pour chauffage

ETOG/ETOR (SMPS) 28 V CC, 8 VA

3 relais de sortie (contact libre de potentiel, NO) 3 X 16 A

Relais d'alarme (contact libre de potentiel, NO) max. 5 A

Signal de contrôle vers l'actionneur

(robinet mélangeur)..... 0-10 V CC

Tension d'alimentation de l'actionneur

(vanne de mélange) max. 48 V CA/CC / max. 2 A

Différentiel « on/off » [marche-arrêt] 1,8 °F / 1 °C

Plage de température -4/+50 °F / -20/+10 °C

Température ambiante..... 32/122 °F / 0/+50 °C

Humidité de l'air ambiant 10-95 %

Norme du boîtier..... NEMA 1 - IP 20

Poids 17.46 oz - 600 g

Dimensions H/L/P 3.54/6.14/1.77 Inches - 90/156/45 mm

Type 1B

Degré de contrôle de la pollution 2

Tension de choc nominale..... 4 kV

Sonde de sol - type ETOG-55 :

Conçue pour être encastrée dans des surfaces extérieures.

Détection Humidité et température

Montage Surfaces extérieures

Norme du boîtier..... NEMA 6P - IP 68

Température ambiante..... -57/+158 °F / -50/+70 °C

Dimensions H/Ø 1.26/2.36 Inches - 32/60 mm

Sonde de sol - ETOG-56/ETOK-1 :

Conçue pour être encastrée dans des surfaces extérieures.

Détection Humidité et température

Montage Surfaces extérieures

Norme du boîtier..... NEMA 6P - IP 68

Température ambiante -57/+158 °F / -50/+70 °C

Dimensions, sonde H/Ø 1.26/2.36 Inches - 32/60 mm

Dimensions, tube H/Ø 3.07/2.50 Inches - 78/63,5 mm

Sonde de gouttière - type ETOR-55 :

Conçue pour être montée dans une gouttière ou dans le tuyau de descente d'eaux pluviales. Est utilisée avec la sonde extérieure ETF-744/99.

Détection Humidité

Montage Gouttière ou tuyau de descente d'eaux pluviales

Norme du boîtier..... NEMA 6P - IP 68

Température ambiante..... -57/+158 °F / -50/+70 °C

Dimensions H/L/P 4.13/1.18/0.51 Inches - 105/30/13 mm

Sonde d'extérieure - ETF-744/99 :

Détection Température

Montage Mural

Norme du boîtier..... NEMA 3 - IP 54

Température ambiante..... -57/+158 °F / -50/+70 °C

Dimensions H/L/P 3.39/1.77/1.38 Inches - 86/45/35 mm

Sonde de conduite d'eau - ETF-522 :

Détection Température

Montage Sanglée sur la conduite

Norme du boîtier..... NEMA 3 - IP 54

Température ambiante..... -40/+248 °F / -40/+120 °C

Dimensions Ø/L..... 0,26/1,97 Inches - 6,5/50 mm



NOTE : Le système de fonde de la neige et de la glace est désactivé si une sonde tombe en panne - peu importe le type de sonde.

INSTALLATION DE LA SONDÉ**Sonde de sol - ETOG, fig. 1+3 :**

Pour installation dans les surfaces extérieures où la glace et la neige sont un problème récurrent. La sonde doit être encastrée à l'horizontale avec le dessus affleurant la surface.

Le câble de la sonde doit être installé conformément aux règles en vigueur.

REMARQUE : Nous recommandons fortement l'utilisation de conduites électriques pour protéger le câble de la sonde. Des instructions détaillées pour l'installation sont fournies avec la sonde.

Avec l'ETOG-55, utilisez la plaque d'installation qui l'accompagne.

Avec l'ETOG-56, utilisez le kit de montage ETOK-1.



REMARQUE : Enlevez la plaque d'installation de l'ETOG-55 avant le démarrage initial.

Sonde de gouttière - ETOR, fig. 2+4 :

Pour installation dans une gouttière ou un tuyau de descente d'eaux pluviales du côté ensoleillé du bâtiment. Il est important de s'assurer que les éléments contacts de la sonde font face au flux de l'eau de fonte. Si nécessaire, deux sondes peuvent être installées en parallèle. Des instructions détaillées pour l'installation sont fournies avec la sonde.



Notez que les fils gris et rose ne sont pas utilisés.

Sonde d'extérieure - ETF-744/99, fig. 2+4 :

Bien que l'ETF soit conçue pour être utilisée avec la sonde de gouttière ETOR, elle peut aussi être utilisée séparément pour la détection de température seule. La sonde doit être montée sur le mur, sous l'avant-toit du côté nord du bâtiment.

Sonde de conduite d'eau - ETF-522 :

N'est utilisée qu'avec les systèmes de chauffage hydroniques pour détecter la température des eaux d'alimentation et de retour. Elle doit être fixée directement sur la conduite avec les bandes.

Câbles des sondes:

Sauf pour ETOG-56 dont le câble mesure 82.02 ft (25 m), les sondes ETOG et ETOR sont fournies avec des câbles de 32.8 ft (10 m) qui peuvent être allongés jusqu'à environ 656 ft (200 m) en utilisant un câble standard d'installation : 6x16 AWG (6x1.5 mm²) pour ETOG et 4x16 AWG (4x1.5 mm²) pour ETOR. Le câble ETF peut être allongé à environ 164 ft (50 m) de longueur. Les câbles des sondes doivent être installés conformément aux règles en vigueur. Ils ne doivent jamais être installés en parallèle à des câbles de puissance, car de l'interférence électrique peut altérer le signal de la sonde.

ETO2:

L'appareil est conçu pour un montage sur rail DIN dans une armoire homologuée.

Pour les É.-U. et le Canada: Le thermostat peut être monté sur un mur dans un boîtier en métal spécialement conçu et approuvé UL (accessoire).

Montage mural: Le couvercle en plastique inclu peut être utilisé pour un montage mural à l'intérieur.

Raccorder la tension d'alimentation aux bornes N et L.

Toute installation électrique et mécanique doit être exécutée conformément aux règles locales applicables.

MONTAGE, CHAUFFAGE ÉLECTRIQUE

- **Contrôle de chauffage électrique 1-zone avec ETOR + ETF (fig. 4+7) :**
Raccordez 1 ou 2 sondes ETOR aux bornes 11-20.
Soyez conscient que les fils gris et rose ne sont pas à installer.
Raccordez 1 sonde ETF aux bornes 31-32.
Raccordez le câble chauffant aux relais de sortie libres de potentiel 1, 2 et 3 selon la fig. 8.
- **Contrôle de chauffage électrique 2-zone avec ETOG (fig. 3+6) :**
Raccordez 2 sondes ETOG aux bornes 11-20.
Raccordez le câble de chauffage pour la zone 1 au relais 1 de sortie libre de potentiel selon la fig. 8.
Raccordez le câble de chauffage pour la zone 2 au relais 2 de sortie libre de potentiel selon la fig. 8.
- **Contrôle de chauffage électrique 2-zone avec ETOR (fig. 4+7) :**
Raccordez 2 sondes ETOR aux bornes 11-20.
Soyez conscient que les fils gris et rose ne sont pas à installer.
Raccordez le câble de chauffage pour la zone 1 au relais 1 de sortie libre de potentiel selon la fig. 8.
Raccordez le câble de chauffage pour la zone 2 au relais 2 de sortie libre de potentiel selon la fig. 8.
- **Contrôle de chauffage électrique 2-zone avec ETOG et ETOR (fig. 5+6+7) :**
Raccordez 1 sonde ETOG aux bornes 11-16 comme sonde 1.
Raccordez 1 sonde ETOR aux bornes 17-20 comme sonde 2.
Soyez conscient que les fils gris et rose ne sont pas à installer.
Raccordez le câble de chauffage pour la zone 1 (sol) au relais 1 de sortie libre de potentiel selon la fig. 8.
Raccordez le câble de chauffage pour la zone 2 (toit) au relais 2 de sortie libre de potentiel selon la fig. 8.
- **Contrôle de chauffage électrique 1-zone avec contrôle de sortie (Y/Δ) (fig. 6+9+10) :**
Contrôle avancé 2 étapes avec ETOG. 1/3 de la puissance aux câbles chauffants en post-chauffage.
Raccordez 1 ou 2 sondes ETOG aux bornes 11-20.
Raccordez les contacteurs/relais externes aux relais de sorties libres de potentiel 1, 2 et 3 selon la fig. 10.

MONTAGE, CHAUFFAGE HYDRONIQUE

• Contrôle du chauffage hydronique 1-zone pour le contrôle de la température d'eau d'alimentation par le robinet mélangeur (fig. 6+11+13+16) :

Raccordez 1 ou 2 sondes ETOG aux bornes 11-20 (fig. 6).
Raccordez l'alimentation externe de tension (24 V CA) pour le robinet mélangeur aux bornes 25-26 (fig. 13).
Raccordez le robinet mélangeur aux bornes 21-24 (fig. 13).
Raccordez les sondes d'alimentation et de retour ETF-522 aux bornes 27-30 (fig.16).
Raccordez la pompe primaire au relais 1 de sortie libre de potentiel selon la fig. 14.
Raccordez la pompe secondaire au relais 2 de sortie libre de potentiel selon la fig. 14.

• Contrôle simple de chauffage hydronique 1 ou 2 zones (fig. 3+6+12)

Raccordez 1 ou 2 sondes ETOG aux bornes 11-20 (fig. 6).
Raccordez la pompe de circulation pour la zone 1 au relais 1 de sortie libre de potentiel selon la fig. 14.
Si la zone 2 est utilisée, raccordez la pompe de circulation pour la zone 2 au relais 2 de sortie libre de potentiel selon la fig. 14.
Même montage d'application que pour chauffage électrique 1- ou 2-zones, voir le manuel de l'utilisateur, démarrage.

CONTRÔLE À DISTANCE (fig. 15):

Les fonctions de chauffage forcé et de mise en attente peuvent être contrôlées à distance en câblant des boutons/relais (normalement ouvert) externes à l'ETO2.
Raccordez le bouton externe de mise en attente aux bornes 33-34.
Raccordez le bouton externe de contrôle du chauffage forcé aux bornes 35-36.

ESSAI DU SYSTÈME DE FONTE DE LA NEIGE

Après l'installation et le réglage de l'application, il est recommandé de tester le système de fonte de neige.

1. Réglez « SET TEMP » [réglage de température] dans le menu de réglage à la température maximum.
2. Versez un peu d'eau sur la sonde (ETOG/ETOR).
3. Le relais de sortie pour le câble chauffant de la zone concernée devrait être activé et l'affichage de l'ETO2 devrait

- indiquer « ON » [en marche]. Vérifiez que le câble chauffant devient chaud et vérifiez la tension si possible.
4. Après le test, réglez « SET TEMP » [réglage de température] à la valeur souhaitée (réglage d'usine = +3,0 °C / 37,4 °F).

CONNEXIONS (fig. 16)

BORNES	CODE DE COULEUR	CONNEXIONS
N, L		Tension d'alimentation, 115-240 V CA 50/60 Hz
1, 2		Relais d'alarme (libre de potentiel) max. 5 A
3, 4		Relais de sortie 1, 16 A (libre de potentiel), Câble chauffant 1 (zone 1) / Pompe primaire
5, 6		Relais de sortie 2, 16 A (libre de potentiel), Câble chauffant 2 (zone 2) / Pompe secondaire
7, 8		Relais de sortie 3, 16 A (libre de potentiel), câble chauffant 3
11, 12	brun/vert	Chauffage de sonde 1+2, ETOG 1+2 et ETOR 1+2
13, 14	gris/rose	Sonde de température, ETOG 1
15, 16	jaune/blanc	Sonde d'humidité 1, ETOG 1/ ETOR 1
17, 18	gris/rose	Sonde de température, ETOG 2
19, 20	jaune/blanc	Sonde d'humidité 2, ETOG 2/ ETOR 2
21, 22		Robinet mélangeur 3/4 voies, 0-10 V
23, 24		Robinet mélangeur 3/4 voies, 24 V CA
25, 26		24 V CA d'une source externe pour robinet mélangeur 3/4 voies
27, 28		Sonde de température d'eau d'alimentation, ETF-522
29, 30		Sonde de température d'eau de retour, ETF-522
31, 32		Sonde de température extérieure, ETF
33, 34		En attente, entrée externe
35, 36		Contrôle de chaleur forcé, entrée externe



FILS DE SONDE ETOR :

Soyez conscient que les fils gris et rose ne sont pas à installer.

Protection de l'environnement et recyclage

Aidez à la protection de l'environnement en jetant l'emballage et les produits superflus de façon responsable.

Mise au rebut de produits

Les produits identifiés par ce symbole ne doivent pas être rebutés avec les déchets domestiques, mais doivent être livrés à un centre de collecte de déchets conformément aux règlements locaux applicables.

Schémas

- Fig. 1 Installation de la sonde de sol ETOG
 - 1 Sonde
 - 2 Plaque d'installation
 - 3 Élément chauffant
- Fig. 2 Installation de la sonde de gouttière ETOR et de la sonde extérieure ETF
 - 1 Thermostat ETO2
 - 2 Sonde de gouttière
 - 3 Sonde extérieure
- Fig. 3 Chauffage électrique d'une zone avec la sonde ETOG
- Fig. 4 Chauffage électrique d'une zone avec la sonde ETOR/ETF
- Fig. 5 Chauffage électrique de deux zones (toit/sol)
- Fig. 6 Connexion ETOG
- Fig. 7 Connexion ETOR
- Fig. 8 Raccordement du câble chauffant, exemple
- fig. 9 Contrôle de chauffage électrique 2 étapes (Y/Δ)
- Fig. 10 Connexion avancée 2 étapes (Y/Δ)
- fig. 11 Contrôle du chauffage hydronique 1-zone pour le contrôle de la température d'eau d'alimentation par le robinet mélangeur
- fig. 12 Contrôle simple de chauffage hydronique 1 ou 2 zones (même montage d'application que pour le contrôle de chauffage électrique pour 1 ou 2 zones)
- fig. 13 Raccordement robinet mélangeur hydronique
- fig. 14 Raccordement pompe hydronique
- fig. 15 Raccordement des fonctions à distance de mise en attente et chauffage forcé
- fig. 16 Contrôleur ETO2, vue d'ensemble raccordement



English

User Manual



CONTENTS

Glossary	Page	41
Introduction.	Page	41
Startup	Page	42
Operation	Page	43
Main menu	Page	43
Display texts	Page	43
Application info	Page	44
Settings	Page	44
Restart	Page	46
Offset calibration	Page	46
Factory settings	Page	46
Troubleshooting	Page	47

GLOSSARY

- Zone 1, 2: Independent heating zones in which ice and snow can be melted.
- Encoder button: Button which can be turned or pressed to easily configure the settings.
- ETOG-55: Ground sensor for detecting moisture and temperature.
- ETOR-55: Gutter sensor for detecting moisture.
- ETOG-56/ETOK-1: Embedded ground sensor for detecting moisture and temperature.
- ETF-744/99: Outdoor sensor for detecting temperature.
- Y/Δ: Advanced 2-stage control of electric heating systems.
- Afterrun: The heat provided by the system, for a specified length of time, after the moisture/temperature signal has been eliminated by a heating cycle.

INTRODUCTION

Type ETO2 is an electronic controller for fully automatic, economical ice and snow melting on outdoor surfaces and in gutters. Ice forms due to a combination of low temperature and moisture. ETO2 detects both temperature and moisture and the heating system will only be activated if a possibility of ice or snow is indicated by both parameters.

An easily operated encoder button and backlit graphic display ensure quick and easy configuration and simple indication of temperature, status, etc.

ETO2 is suitable for controlling electric heating cables in 1 or 2 zones. It also features advanced two-stage output control for economic operation.

In hydronic mode, the supply sensor maintains the required supply water temperature while the system is active. When heat is demanded, both the circulation and main pumps are activated and the valve is opened 20% for 1 minute to let the system stabilise.

When there is no need for ice or snow melting, the system activates the circulation pump for 1 minute every 15 minutes to check whether the return water temperature has dropped below the required "idle temp." If this is the case, the system fully activates to increase the return water temperature to the required level.

STARTUP

SELECT SCALE:

CELSIUS
FAHRENHEIT

When ETO2 is switched on for the first time, Celsius or Fahrenheit must be selected. Turn the encoder button until the required temperature scale is highlighted. Then accept the selection by pressing the encoder button.

SENSOR 1:

ETOG
ETOR

SENSOR 1 is shown on the display, allowing the type of sensor connected for input 1 to be selected:

ETOG : Ground sensor

ETOR : Gutter sensor + outdoor sensor

Then accept the selection by pressing the encoder button.

SENSOR 2:

OFF
ETOG
ETOR

SENSOR 2 is then shown on the display, allowing the type of sensor connected for input 2 to be selected. If no sensor is connected to input 2, OFF must be selected.

OUTDOOR SENSOR:

OFF
ETF

Select ETF if an ETF outdoor sensor is connected to terminals 31-32.

If no ETF sensor is connected, select OFF. Then accept the selection by pressing the encoder button.

APPLICATION:

ELECTRIC 1-ZONE
ELECTRIC 2-ZONE
ELECTRIC 2-STAGE
HYDRONIC

Select the application type by turning the encoder button and pressing OK.

ELECTRIC 1-ZONE : 1-zone electric heating control. Note: also used for simple hydronic. Fig. 12

ELECTRIC 2-ZONE : 2-zone electrical heating control. Note: also used for simple hydronic. Fig. 12.

ELECTRIC 2-STAGE : Advanced 2-stage electric heating control (Y/Δ) of 1 zone. Fig. 10

HYDRONIC : 1-zone hydronic heating control with supply water control. Fig. 11

Select the appropriate option and press OK. The system is now set up, and will begin operating fully automatically in accordance with the pre-configured standard program, see FACTORY SETTINGS. Alternative settings can also be made, see SETTINGS.

ZONE 1 HEAT OFF
ZONE 2 HEAT OFF
AFTERRUN 1 0.00
AFTERRUN 2 0.00
STANDBY OFF

Status and afterrun data for zones 1 and 2 are now shown on the display.

OPERATION

ETO2 is equipped with an easily operated encoder button (turn and press) and a display which describes the current situation. The display is backlit and is illuminated by pressing the encoder button (OK). The illumination is automatically switched off after 30 seconds.

Press the encoder button and the main menu will be shown on the display.

Turn the button to scroll through the options. Not all the options are shown on the display at once, but they can be accessed by turning the encoder button.

Press OK to select a highlighted option.

MAIN MENU

ZONE 1	OFF
ZONE 2	OFF
SENSOR 1	##.#°C
SENSOR 2	##.#°C
MOIST 1	NO
MOIST 2	NO
OUT. TEMP	##.#°C
SUPPLY W.	##.#°C
RETURN W.	##.#°C
ALARM	NO
SHOW INFO	
SETUP	
RESTART	
EXIT	

DISPLAY TEXTS

ZONE 1	OFF	Heating zone 1 active (ON) or inactive (OFF)
ZONE 2	OFF	Heating zone 2 active (ON) or inactive (OFF)
SENSOR 1	##.#°C	Sensor 1 (heated sensor) core temperature. Applies only when ETOG sensor is connected. NOTE: The temperature shown does not equal ambient temperature during moisture detection!
SENSOR 2	##.#°C	Sensor 2 (heated sensor) core temperature. Applies only when ETOG sensor is connected. NOTE: The temperature shown does not equal ambient temperature during moisture detection!
MOIST 1	NO	Sensor 1 moisture status. YES / NO / Blank. Blank will be shown if temperature is above Set Temp or the system is in Afterrun mode.
MOIST 2	NO	Sensor 2 moisture status. YES / NO / Blank. Blank will be shown if temperature is above Set Temp or the system is in Afterrun mode.
OUT TEMP	##.#°C	Ambient outdoor temperature. Applies only when ETF sensor is connected.
SUPPLY W.	##.#°C	Supply water temperature, hydronic application only.

RETURN W. ##.##°C Return water temperature, hydronic application only.

ALARM NO Fault message, fault type will be displayed. Red LED on front of unit will flash.

APPLICATION INFO

SHOW INFO

APP: E. 1-ZONE Application type: electric or hydronic heating

SW VERSION 1.00 Software version

SENSOR 1 ETOG Sensor type, sensor 1

SENSOR 2 OFF Sensor type, sensor 2

SENSOR ETF OFF Whether an ETF sensor is connected

EXIT Return to main menu

SETTINGS

Please note that incorrect sensor setup may lead to poor or lacking ice and snow melting. Press OK and a submenu will be shown on the display. Select the parameter to be set and press OK.

SETUP


FORCE HEAT OFF Manual start of forced heating. Press OK and select ON to start forced heating. The ETO2 controller will provide heat for the pre-programmed afterrun time, see AFTERRUN 1 and 2.

SELECT SCALE C Whether temperature is to be displayed in Celsius (C) or Fahrenheit (F) can be selected here. Select the required scale and press OK. Press OK to return to the SETUP menu.

SET TEMP 1 3.0C Set temperature for zone 1: The temperature at which the ice and snow melting system will become active can be set here. The temperature setting can be adjusted within the range 122/-4°F (+50/-20°C). Set the required temperature and press OK.

SET TEMP 2 3.0C Set temperature for zone 2: The temperature at which the ice and snow melting system will become active can be set here. The temperature setting can be adjusted within the range 122/-4°F (+50/-20°C). Set the required temperature and press OK.

OFF TEMP 1 OFF The lowest operating temperature for zone 1 can be set here. Below this temperature, the system will enter standby mode. The setting can be as low as -3.9°F (-20°C), or OFF can be selected. OFF = no limit. To change the minimum cut-off temperature, press OK, turn the encoder button to the desired value and confirm with OK.

- OFF TEMP 2** **OFF** The lowest operating temperature for zone 2 can be set here. The setting can be as low as -3.9°F (-20°C), or OFF can be selected. OFF = no limit. To change the minimum cut-off temperature, press OK, turn the encoder button to the desired value and confirm with OK.
- AFTERRUN 1** **2:00** Afterrun time, zone 1: An afterrun duration of between 0 and 18 hours can be set here. The system will continue to provide heat for the specified time after the moisture/temperature signal has been eliminated by a heating cycle. Use the encoder button to set the required afterrun time and press OK.
- AFTERRUN 2** **2:00** Afterrun time, zone 2: An afterrun duration of between 0 and 18 hours can be set here. Use the encoder button to set the required afterrun time and press OK.
- OFFSET T1** **0.0C** Zone 1 temperature can be calibrated here. With the ETOG-55 sensor, the temperature shown on the ETO2 display is always the core temperature of the sensor. For calibration, please see *OFFSET CALIBRATION*.
- OFFSET T2** **0.0C** Zone 2 temperature can be calibrated here. With the ETOG-55 sensor, the temperature shown on the ETO2 display is always the core temperature of the sensor. For calibration, please see *OFFSET CALIBRATION*.
- OFFSET OUT.** **0.0C** Outdoor temperature can be calibrated here. The temperature recorded by the ETF outdoor sensor can be adjusted so that the exact temperature is displayed on ETO2. Measure the temperature beside the sensor using a thermometer. Adjust the necessary offset using the encoder button. Press OK.
- MIN WATER** **5.0C** The minimum return water temperature can be set here. Set the required minimum temperature and press OK.
This menu option is only available when hydronic heating is used.
- MAX WATER** **55.0C** The maximum supply water temperature can be set here. Set the required maximum temperature and press OK.
This menu option is only available when hydronic heating is used.
- SENSOR HEAT** **AUTO** **SENSOR HEAT AUTO:** When the temperature is below set point and moist is detected, sensor heat will be activated. As soon as the relays are activated the sensor-heat is deactivated.
SENSOR HEAT ON: When the temperature is below set point and moist is detected, sensor heat will be activated. The sensor-heat remains active as long as the relays are activated. Used under special conditions or during extremely cold weather, Select ON and press OK.
- MOIST CTRL** **ON** Moisture control can be switched off here. If so, snow and ice melting will only be controlled by the set temperature, see SET TEMP. Select OFF to switch off moisture control and press OK.
-  Note that energy consumption/costs will rise if moisture control is switched off.
- SENSITIVITY** **NORM** Sensor sensitivity can be adjusted in 5 steps: MIN: e.g. for salted roads - LOW: e.g. for dirty snow - NORM: e.g. for mixed snow conditions - HIGH: e.g. for white snow - MAX: e.g. for very pure snow or hoar frost. To change sensitivity, press OK, turn the encoder button to the desired setting and confirm with OK.
- LANGUAGE** **ENGLISH** Language information.

FACTORY RESET

All ETO2 factory settings can be restored here. Selecting this option deletes all customised settings.

REINSTALL

REINSTALL
PASSWORD XXXX

In the event of setup failure in the STARTUP menu, or whenever new hardware is connected, the primary setup must be changed in the STARTUP menu. Select PASSWORD and turn the encoder button to the factory code (1202). The controller will then return to the STARTUP menu, see STARTUP.

EXIT

Select this option and press OK to return to the main menu.

RESTART

After changing the settings, or whenever a new process start is required, the ETO2 can be restarted in this menu.

RESTART

Restarts operation while retaining all your current settings. The ETO2 goes to the initial status display.

OFFSET CALIBRATION

If it is necessary to calibrate the temperature measured by the ETOG sensor, please follow the steps below:

1. Disconnect the sensor from terminals 11 and 12 (sensor heating) of the ETO2.
2. Wait a few hours until the sensor has acquired the same temperature as the ground.
3. Measure the real ground/sensor temperature and compare it with the temperature shown on the ETO2 display.
4. Program the offset for the sensor concerned to match the difference between the two temperatures (displayed/real).
Adjust the necessary offset using the encoder button. Press OK.
5. Reconnect the sensor to terminals 11 and 12 of the ETO2.

NOTE: With the ETOG sensor, the temperature shown on the ETO2 display is always the core temperature of the sensor.

FACTORY SETTINGS

SETUP	FACTORY SETTINGS	OWN SETTINGS
Application	Electric	
Sensor 1	ETOG	
Sensor 2	OFF	
Select scale	Celsius	
Afterrun time, zone 1	2.00 hours	
Afterrun time, zone 2	2.00 hours	
Temp. offset, zone 1	0.0°C / 0.0°F	
Temp. offset, zone 2	0.0°C / 0.0°F	
Temp. offset ETF	0.0°C / 0.0°F	
Temp. setpoint, zones 1+2	3.0°C / 37.4°F	
OFF temp., zones 1+2	OFF	
Sensor heating, zones 1+2	AUTO	
Moisture control, zones 1+2	ON	
Sensitivity, zones 1+2	NORM	
Min. water temp.	5°C / 41°F	
Max. water temp.	55°C / 131°F	

TROUBLESHOOTING

If faults occur in the ice and snow melting system, it is advisable to check the ETO2 setup. Activate the menu by pressing the encoder button and select SHOW INFO to display the application settings. If there are errors in the setup, activate REINSTALL using factory code 1202.

Check that all connections are made correctly, and that cables are fastened in the clamps.

For answers to FAQ, please visit our website: [www.ojelectronics.com / support / FAQ - Snowmelting](http://www.ojelectronics.com/support/FAQ-Snowmelting).

Ice/snow does not melt

- **Does the display show HEAT ON in zone 1 / 2?**

YES:

- o Wait 1-2 hours.
- o Check under the snow, if the snow is beginning to melt the system is OK.
- o Check heating cables for defects and bad or incorrect connections.
- o It may be too cold for snow melting (insufficient power/m²), i.e. the heating cables or hydronic heating system is undersized.

NO:

- o The temperature is higher than SET TEMP. Adjust SET TEMP to higher temperature.
- o The snow around the ground sensor has melted or drifting snow has exposed the sensor. Increase AFTERRUN time or activate FORCE HEAT.
- o An igloo effect has occurred around the sensor. The ground sensor has melted an insulated cavity under the snow. Activate FORCE HEAT or set MOIST CTRL to OFF.
- o The temperature is lower than the OFF TEMP setting. Depending on heat output, the system may have a lower temperature limit at which snow can be melted. Try melting the snow with FORCE HEAT before changing the OFF TEMP.

Heating is not shut off after ice/snow melting

- o AFTERRUN time is too long – reduce AFTERRUN time and activate RESTART in the menu.
- o Moisture detection in the ETOG/ETOR sensor is turned off – set MOIST CTRL to ON in the menu.

If the red ALARM button flashes, one of the following faults has occurred. The relevant message will be displayed in the ALARM menu.

- “RETURN TEMP LOW” - Water temperature in return pipe is too low.
- “SUPPLY TEMP HIGH” - Water temperature in supply pipe is too high.
- “RETURN SENSOR” - Return sensor defective.
- “SUPPLY SENSOR” - Supply sensor defective.
- “TEMP SENSOR 1” - Temperature sensor 1 (ground or roof) defective.
- “TEMP SENSOR 2” - Temperature sensor 2 (ground or roof) defective.
- “OUTDOOR SENSOR” - Outdoor sensor defective.
- “SENSOR HEATER” - Heating element in ground or roof sensor short-circuited.
- “FROST PROTECT” - Frost protection active due to low return temperature. (hydronic systems only)



Français

Manuel de l'utilisateur



TABLE DES MATIÈRES

Glossaire	Page	73
Introduction.	Page	73
Démarrage	Page	74
Fonctionnement	Page	75
Menu principal	Page	75
Textes affichés	Page	75
Informations d'application	Page	76
Réglages	Page	76
Redémarrage	Page	78
Calibration d'offset.	Page	78
Réglages d'usine.	Page	79
Recherche de pannes	Page	79

GLOSSAIRE

Zone 1, 2 :	Zones de chauffage indépendantes où la glace et la neige peuvent être fondues.
Bouton de l'encodeur :	Bouton qui peut être tourné ou appuyé pour facilement configurer les réglages.
ETOG-55:	Sonde de sol pour détecter l'humidité et la température.
ETOR-55:	Sonde de gouttière pour détecter l'humidité.
ETOG-56/ETOK-1:	Sonde de sol encastrée pour détecter l'humidité et la température.
ETF-744/99:	Sonde extérieure pour détecter la température.
Y/Δ :	Contrôle avancé 2 étapes des systèmes de chauffage électrique.
Post-chauffage :	La chaleur fournie par le système, pendant une durée spécifique, après que le signal d'humidité/température a été éliminé par un cycle de chauffage.

INTRODUCTION

Le type ETO2 est un contrôleur électronique pour la fonte totalement automatique et économique de la glace et la neige sur les surfaces extérieures et dans les gouttières. La glace se forme en cas de basses températures et d'humidité. ETO2 détecte autant la température que l'humidité et le système de chauffage sera activé uniquement si les deux paramètres annoncent une possibilité de neige ou de glace.

Un encodeur facile à utiliser et un afficheur rétroéclairé permettent une configuration rapide et facile en plus d'une indication simple de l'état, de la température, etc.

ETO2 est adéquat pour contrôler des câbles chauffants électriques dans 1 ou 2 zones. Il possède également un contrôle de sortie deux-étapes pour une exploitation économique.

En mode hydronique, la sonde d'alimentation maintient la température requise pour l'eau d'alimentation pendant que le système est actif. Quand de la chaleur est demandée, la pompe de circulation et la pompe principale sont activées et le robinet est ouvert à 20 % pendant 1 minute pour laisser le système se stabiliser.

Quand il n'est pas requis de fondre la glace ou la neige, le système active la pompe de circulation pendant 1 minute à toutes les 15 minutes pour vérifier que la température de l'eau de retour est tombée sous la « température de marche a vide » requise. Si c'est le cas, le système s'active pleinement pour accroître la température de l'eau de retour à la valeur requise.

DÉMARRAGE

SELECT SCALE:
CELSIUS
FAHRENHEIT

Quand ETO2 est mis sous tension pour la première fois, il faut choisir entre Celsius ou Fahrenheit. Tournez le bouton de l'encodeur jusqu'à ce que l'échelle de température requise soit en surbrillance. Puis appuyez sur le bouton de l'encodeur pour confirmer le choix.

SENSOR 1:
ETOG
ETOR

SENSOR 1 est affiché à l'écran afin que se fasse le choix du type de sonde raccordée à l'entrée 1 :
 ETOG : Sonde de sol
 ETOR : Sonde de gouttière et d'extérieur
 Puis appuyez sur le bouton de l'encodeur pour confirmer le choix.

SENSOR 2:
OFF
ETOG
ETOR

SENSOR 2 est alors affiché à l'écran afin que se fasse le choix du type de sonde raccordée à l'entrée 2. S'il n'y a pas de sonde de raccordée à l'entrée 2, « OFF » [arrêt] doit être sélectionné.

OUTDOOR SENSOR:
OFF
ETF

Choisissez ETF si une sonde extérieure ETF est raccordée aux bornes 31-32.
 S'il n'y a pas de sonde ETF de raccordée, sélectionnez « OFF » [arrêt]. Puis appuyez sur le bouton de l'encodeur pour confirmer le choix.

APPLICATION:
ELECTRIC 1-ZONE
ELECTRIC 2-ZONE
ELECTRIC 2-STAGE
HYDRONIC

Sélectionnez le type d'application en tournant le bouton de l'encodeur puis en appuyant pour confirmer.
 ÉLECTRIQUE 1-ZONE : Contrôle de chauffage électrique pour 1 zone. Note : également utilisé pour hydronique simple (fig. 12).
 ELECTRIC 2-ZONE : Contrôle de chauffage électrique pour 2 zones. Note : également utilisé pour hydronique simple (fig. 12).
 ÉLECTRIQUE 2-ÉTAPES : Contrôle avancé de chauffage électrique 2 étapes (Y/Δ) pour 1 zone (fig. 10).
 HYDRONIQUE : Contrôle du chauffage hydronique pour 1 zone avec contrôle d'eau d'alimentation (fig. 11).

Sélectionnez l'option appropriée puis appuyez sur OK. Le système est maintenant réglé et commencera à fonctionner de façon complètement automatique selon le programme standard préconfiguré (voir RÉGLAGES D'USINE). Des réglages alternatifs peuvent aussi être faits, voir RÉGLAGES.

ZONE 1 HEAT	OFF
ZONE 2 HEAT	OFF
AFTERRUN 1	0.00
AFTERRUN 2	0.00
STANDBY	OFF

L'état et les données post-chauffage pour les zones 1 et 2 sont maintenant affichés.

FONCTIONNEMENT

ETO2 est muni d'un bouton pour l'encodeur qui est facile d'utilisation (tourner et appuyer) ainsi que d'un afficheur qui décrit la situation actuelle. L'afficheur est rétroéclairé et il s'allume en appuyant sur le bouton de l'encodeur (OK). L'afficheur s'éteint automatiquement après 30 secondes.

Appuyez sur le bouton de l'encodeur et le menu principal s'affichera à l'écran.

Tournez le bouton pour vous déplacer parmi les options. Toutes les options ne sont pas affichées en même temps sur l'écran, mais vous pouvez y accéder en tournant le bouton de l'encodeur.

Appuyez sur OK pour sélectionner l'option en surbrillance.

MENU PRINCIPAL

ZONE 1	OFF
ZONE 2	OFF
SENSOR 1	##.##°C
SENSOR 2	##.##°C
MOIST 1	NO
MOIST 2	NO
OUT. TEMP	##.##°C
SUPPLY W.	##.##°C
RETURN W.	##.##°C
ALARM	NO
SHOW INFO	
SETUP	
RESTART	
EXIT	

TEXTES AFFICHÉS

ZONE 1 **OFF** Chauffage de la zone 1 actif (ON) ou inactif (OFF)

ZONE 2 **OFF** Chauffage de la zone 2 actif (ON) ou inactif (OFF)

SENSOR 1 **##.##°C** Sonde 1 (sonde chauffée) température du centre. S'applique uniquement quand une sonde ETOG est raccordée.
REMARQUE : La température indiquée ne correspond pas à la température ambiante pendant la détection d'humidité !

SENSOR 2 **##.##°C** Sonde 2 (sonde chauffée) température du centre. S'applique uniquement quand une sonde ETOG est raccordée.
REMARQUE : La température indiquée ne correspond pas à la température ambiante pendant la détection d'humidité !

MOIST 1 **NO** Sonde 1, mesure d'humidité. OUI / NON / blanc. Un blanc sera montré si la température est au-dessus de « Set Temp » [réglage de température] ou si le système est en mode post-chauffage.

MOIST 2 **NO** Sonde 2, mesure d'humidité. OUI / NON / blanc. Un blanc sera montré si la température est au-dessus de « Set Temp » [réglage de température] ou si le système est en mode post-chauffage.

OUT TEMP **##.##°C** Température extérieure ambiante. S'applique uniquement quand une sonde ETF est raccordée.

SUPPLY W. ##.##°C Température d'eau d'alimentation, application hydronique uniquement.

RETURN W. ##.##°C Température d'eau de retour, application hydronique uniquement.

ALARM NO Message de faute, le type de faute sera affiché. La DEL rouge sur le devant de l'appareil clignotera.

INFORMATIONS D'APPLICATION

SHOW INFO

APP: E.1-ZONE Type d'application : chauffage électrique ou hydronique

SW VERSION 1.00 Version de logiciel

SENSOR 1 ETOG Type de sonde, sonde 1

SENSOR 2 OFF Type de sonde, sonde 2

SENSOR ETF OFF Si une sonde ETF est raccordée

EXIT Retour au menu principal

RÉGLAGES

Veillez noter qu'un paramétrage incorrect de la sonde peut conduire à une pauvre fonte de la glace et de la neige et même à un défaut de fonte.

Appuyez sur OK et un sous-menu s'affichera à l'écran.

Sélectionnez le paramètre à régler et appuyez sur OK.

SETUP

FORCE HEAT OFF Démarrage manuel ou chauffage forcé. Appuyez sur OK et sélectionnez ON pour démarrer le chauffage forcé.
Le contrôleur ETO2 fournira la chaleur pour la période de post-chauffage qui est préprogrammé, voir POST-CHAUFFAGE 1 et 2.

SELECT SCALE C Ici vous pouvez choisir l'affichage de la température en Celsius (C) ou Fahrenheit (F). Sélectionnez l'échelle appropriée puis appuyez sur OK. Appuyez sur OK pour retourner au menu « SETUP » [réglage].

SET TEMP 1 3.0C Réglez la température pour la zone 1 : Ici, on peut régler la température à laquelle le système de fonte de glace et de neige sera activé. Le réglage de la température peut s'effectuer dans une plage de 122 / -4 °F (+50 / -20 °C) . Sélectionnez la température appropriée puis appuyez sur OK.

SET TEMP 2 3.0C Réglez la température pour Zone 2 : Ici, on peut régler la température à laquelle le système de fonte de glace et de neige sera activé. Le réglage de la température peut s'effectuer dans une plage de 122 / -4 °F (+50 / -20 °C). Sélectionnez la température appropriée puis appuyez sur OK pour confirmer.

- OFF TEMP 1** **OFF** La température de fonctionnement la plus basse pour la zone 1 peut être réglée ici. Sous cette température, le système passera en mode attente. Le réglage peut être aussi bas que -3.9 °F (-20 °C) ou « OFF » [arrêt] peut être sélectionné. « OFF » [arrêt] = pas de limite. Pour changer pour une température minimum d'arrêt, appuyez sur OK et tourner le bouton de l'encodeur à la valeur souhaitée, confirmez avec OK.
- OFF TEMP 2** **OFF** La température de fonctionnement la plus basse pour la zone 2 peut être réglée ici. Le réglage peut être aussi bas que -3.9 °F (-20 °C) ou « OFF » [arrêt] peut être sélectionné. OFF (arrêt) = pas de limite. Pour changer pour une température minimum d'arrêt, appuyez sur OK et tourner le bouton de l'encodeur à la valeur souhaitée, confirmez avec OK.
- AFTERRUN 1** **2:00** Durée de post-chauffage zone 1 : Une durée de post-chauffage entre 0 et 18 heures peut être réglée ici. Le système continuera à produire de la chaleur pendant la période de temps définie après que le signal d'humidité/température aura été éliminé par un cycle de chauffage. Utilisez le bouton de l'encodeur pour régler le temps de post-chauffage requis puis appuyez sur OK.
- AFTERRUN 2** **2:00** Durée de post-chauffage zone 2 : Une durée de post-chauffage entre 0 et 18 heures peut être réglée ici. Utilisez le bouton de l'encodeur pour régler le temps de post-chauffage requis puis appuyez sur OK.
- OFFSET T1** **0.0C** La température de zone 1 peut être calibrée ici. Avec la sonde ETOG-55, la température affichée sur l'écran de l'ETO2 est toujours celle du centre de la sonde. Pour la calibration, veuillez vous référer à *CALIBRATION D'OFFSET*.
- OFFSET T2** **0.0C** La température de zone 2 peut être calibrée ici. Avec la sonde ETOG-55, la température affichée sur l'écran de l'ETO2 est toujours celle du centre de la sonde. Pour la calibration, veuillez vous référer à *CALIBRATION D'OFFSET*.
- OFFSET OUT.** **0.0C** La température extérieure peut être calibrée ici. La température enregistrée par la sonde d'extérieur ETF peut être ajustée pour que la température précise soit affichée sur l'ETO2. Mesurez la température à côté de la sonde en utilisant un thermomètre. Ajustez l'offset nécessaire en utilisant le bouton de l'encodeur. Appuyez sur OK.
- MIN WATER** **5.0C** La température minimum d'eau de retour peut être réglée ici. Réglez la température minimum requise puis appuyez sur OK. Cette option du menu n'est disponible que lorsqu'un chauffage hydronique est utilisé.
- MAX WATER** **55.0C** La température maximum d'eau d'alimentation peut être réglée ici. Réglez la température minimum requise puis appuyez sur OK. Cette option du menu n'est disponible que lorsqu'un chauffage hydronique est utilisé.
- SENSOR HEAT** **AUTO** CHAUFFAGE DE SONDE AUTO: Quand la température descend au-dessous du point de consigne et que de l'humidité est détectée, le chauffage de la sonde sera activé. Dès que les relais sont activés, le chauffage de la sonde est désactivé.
- CHAUFFAGE DE SONDE ACTIVE: Quand la température descend au-dessous du point de consigne et que de l'humidité est détectée, le chauffage de la sonde sera activé. Le chauffage de la sonde reste activé tant que les relais sont activés. Pour des conditions spéciales ou lors de températures extrêmement froides, sélectionnez «ON» [activer] et appuyez sur OK.
- MOIST CTRL** **ON** Ici, le contrôle de l'humidité peut être annulé. Si c'est le cas, la fonte de la glace et la neige ne sera

contrôlée que par la température réglée, voir « SET TEMP » [réglage de température]. Sélectionnez « OFF » [arrêt] pour couper le contrôle d'humidité et appuyez sur OK.



Notez que la consommation d'énergie/les coûts augmenteront si le contrôle de l'humidité est coupé.

SENSITIVITY NORM

La sensibilité de la sonde peut être réglée à 5 niveaux : MIN : par ex. pour routes salées - BAS : par ex. pour neige sale - « NORM » [normal] : par ex. pour des conditions mixtes de neige - ÉLEVÉ : par ex. pour neige blanche - MAX : par ex. pour une neige très pure ou givre. Changez la sensibilité en appuyant sur OK et en tournant le bouton de l'encodeur à la valeur souhaitée puis confirmez avec OK.

LANGUAGE ENGLISH

Informations sur la langue.

FACTORY RESET

Tous les réglages d'usine de l'ETO2 peuvent être restaurés ici. En sélectionnant cette option, tous les réglages personnalisés sont supprimés.

REINSTALL

REINSTALL
PASSWORD XXXX

En cas de faute de réglage dans le menu « STARTUP » [démarrage] ou si de nouveaux appareils sont connectés. Le réglage primaire doit être changé dans le menu « STARTUP » [démarrage]. Sélectionnez « PASSWORD » [mot de passe] et tournez le bouton de l'encodeur pour afficher le code d'usine (1202). Le contrôleur retournera alors au menu « STARTUP » [démarrage], voir « STARTUP » [démarrage].

EXIT

Sélectionnez cette option et appuyez sur OK pour retourner au menu principal.

REDÉMARRAGE

Après un changement des réglages ou toutes les fois qu'un nouveau démarrage de procédé est requis, l'ETO2 peut être redémarré dans ce menu.

RESTART

Redémarrage de l'opération en maintenant vos réglages actuels. L'ETO2 passe à l'affichage de l'état initial.

CALIBRATION D'OFFSET

Si il est nécessaire de calibrer la température mesurée par la sonde ETOG, veuillez suivre les étapes énoncées plus bas :

1. Débranchez la sonde des bornes 11 et 12 (chauffage sonde) de l'ETO2.
2. Attendez quelques heures pour que la sonde soit à la même température que le sol.
3. Mesurez la température réelle sol/sonde et comparez avec la température affichée par l'ETO2.
4. Programmez l'offset pour la sonde concernée afin qu'il corresponde à la différence entre les deux températures (affichée vs réelle). Ajustez l'offset nécessaire en utilisant le bouton de l'encodeur. Appuyez sur OK.
5. Rebranchez la sonde aux bornes 11 et 12 de l'ETO2.

REMARQUE : Avec la sonde ETOG, la température affichée sur l'écran de l'ETO2 est toujours celle du centre de la sonde.

RÉGLAGES D'USINE

RÉGLAGES	RÉGLAGES D'USINE	RÉGLAGES PERSONNALISÉS
Application	Électrique	
Sonde 1	ETOG	
Sonde 2	« OFF » [arrêt]	
Choix d'échelle	Celsius	
Durée de post-chauffage zone 1	2 heures	
Durée de post-chauffage zone 2	2 heures	
Temp. offset Zone 1	0,0 °C / 0,0 °F	
Temp. offset Zone 2	0,0 °C / 0,0 °F	
Temp. offset ETF	0,0 °C / 0,0 °F	
Point de consigne de température zones 1+2	3,0 °C / 37,4 °F	
Température d'arrêt zones 1+2	OFF (arrêt)	
Chauffage de sonde zones 1+2	AUTO	
Contrôle d'humidité zones 1+2	« ON » [marche]	
Sensibilité zones 1+2	« NORM » [normal]	
Température min. de l'eau	5 °C / 41 °F	
Température max. de l'eau	55 °C / 131 °F	

RECHERCHE DE PANNES

Si une faute apparaît dans le système de fonte de glace et de neige, il est recommandé de vérifier le réglage de l'ETO2. Accédez au menu en appuyant sur le bouton de l'encodeur et sélectionnez « SHOW INFO » pour afficher les réglages de l'application. S'il y a des erreurs dans le réglage, activer « REINSTALL » [réinstaller] en utilisant le code d'usine 1202.

Vérifiez que toutes les connexions sont faites correctement et que tous les câbles sont attachés sur les supports.

Pour des réponses aux questions fréquentes (FAQ) visitez notre site : [www.ojelectronics.com / support / FAQ – Snowmelting](http://www.ojelectronics.com/support/FAQ-Snowmelting).

La glace/neige ne fond pas

- **L'affichage montre t'il « HEAT ON » [chaleur activée] dans zone 1/2 ?**

OUI :

- o Attendez pendant 1-2 heures.
- o Vérifiez sous la neige, si la neige commence à fondre, le système fonctionne bien.
- o Vérifiez si les câbles chauffants sont défectueux et si des connexions sont mauvaises ou inadéquates.
- o Il peut faire trop froid pour que la neige fonde (puissance/m² insuffisante) c.-à-d. le système de chauffage hydronique est sous dimensionné.

NON :

- o La température est plus élevée que « SET TEMP » [réglage de température]. Réglez « SET TEMP » [réglage de température] à une valeur plus élevée.
- o La neige autour de la sonde est fondue ou le tassement de la neige a exposé la sonde. Augmentez le temps « AFTERRUN » [POST-CHAUFFAGE] ou activez « FORCE HEAT » [CHAUFFAGE FORCÉ].
- o Un effet igloo s'est produit autour de la sonde. La sonde de sol a fait fondre une cavité isolée sous la neige. Activez « FORCE HEAT » [CHAUFFAGE FORCÉ] ou réglez « MOIST CTRL » [CONTR HUM] à « OFF » [ARRÊT].
- o La température est plus basse que le réglage d'« OFF TEMP » [température d'arrêt].

Selon la sortie de chaleur, le système peut avoir une limite de température plus basse à laquelle la neige peut être fondue. Essayez de faire fondre la neige avec « FORCE HEAT » [chauffage forcé] avant de changer « OFF TEMP » [température d'arrêt].

Le chauffage ne s'arrête pas après la fonte de la glace/neige

- o Le temps d'« AFTERRUN » [post-chauffage] est trop long - réduisez le temps d'« AFTERRUN » [post-chauffage] et activez « RESTART » [redémarrer] dans le menu.
- o La détection d'humidité par la sonde ETOG/ETOR est arrêtée – activez « MOIST CTRL » [contrôle d'humidité] à ON dans le menu.

Si le bouton d'alarme rouge clignote, un des défauts suivants est survenu. Le message pertinent sera affiché dans le menu « ALARM » [alarme].

- “RETURN TEMP LOW” - La température de l'eau dans la conduite de retour est trop basse.
- “SUPPLY TEMP HIGH” - La température de l'eau dans la conduite d'alimentation est trop haute.
- “RETURN SENSOR” - Sonde d'eau de retour défectueuse.
- “SUPPLY SENSOR” - Sonde d'alimentation défectueuse.
- “TEMP SENSOR 1” - Sonde de température 1 (sol ou toit) est défectueuse.
- “TEMP SENSOR 2” - Sonde de température 2 (sol ou toit) est défectueuse.
- “OUTDOOR SENSOR” - Sonde extérieure défectueuse.
- “SENSOR HEATER” - L'élément chauffant de la sonde de sol ou de toit est court-circuité.
- “FROST PROTECT” - Protection contre le givre activée à cause de basse température du retour. (systèmes hydroniques uniquement)

MENU OVERVIEW:

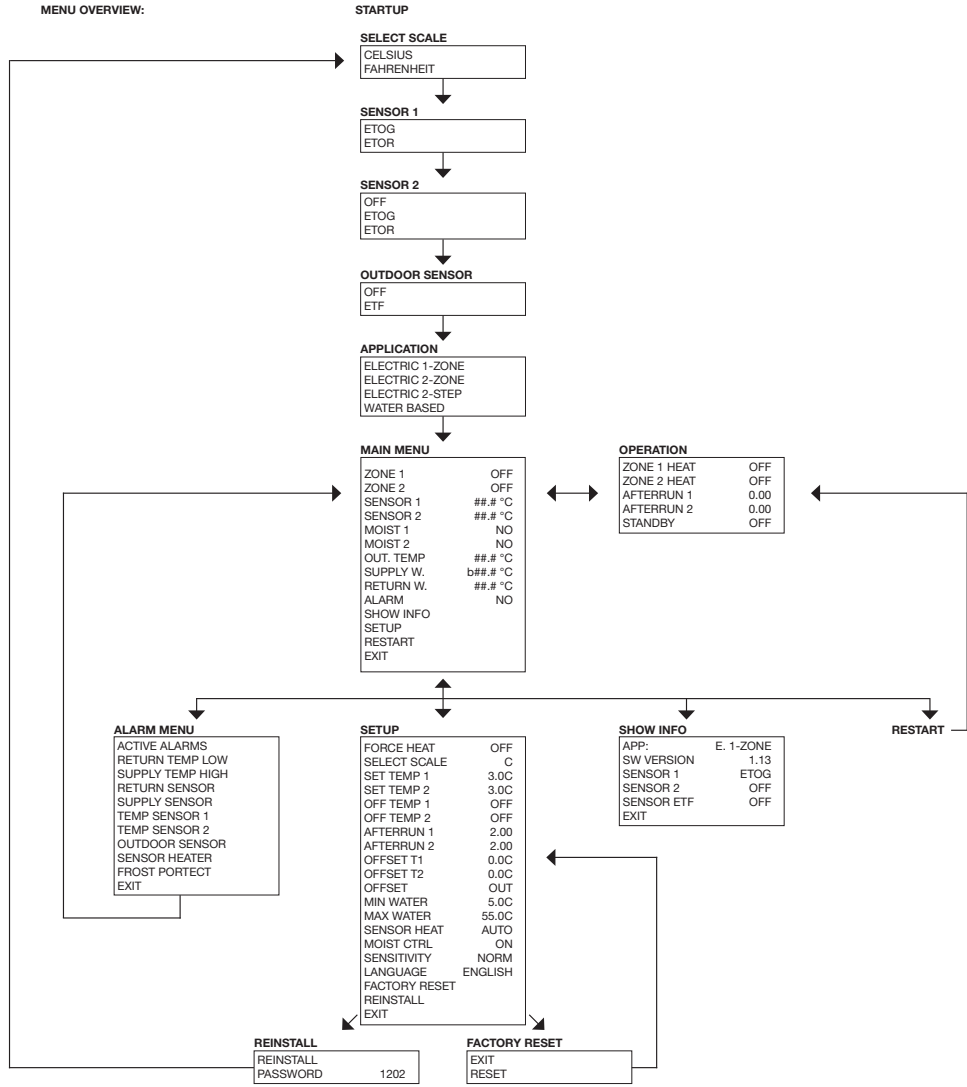
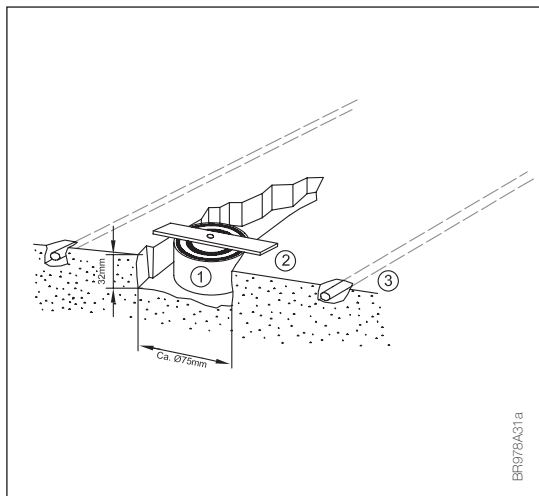
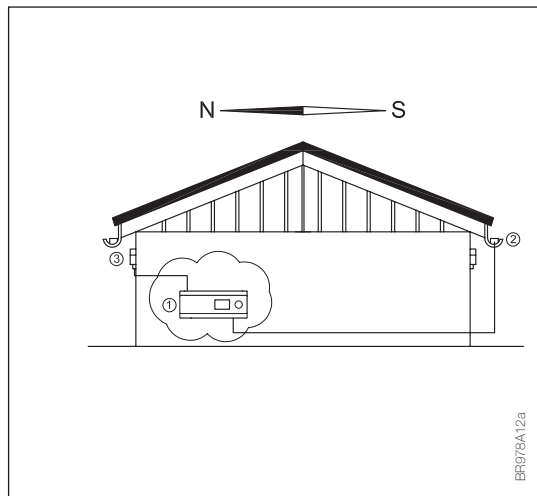


Fig. 1 Installation of ETOG ground sensor



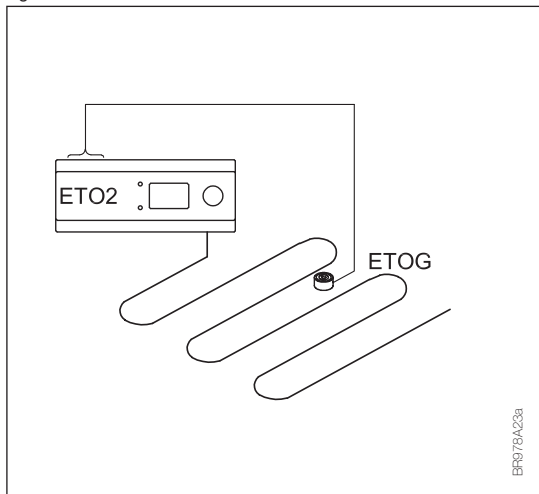
BR978A31a

Fig. 2 Installation of ETOR gutter sensor and ETF outdoor sensor



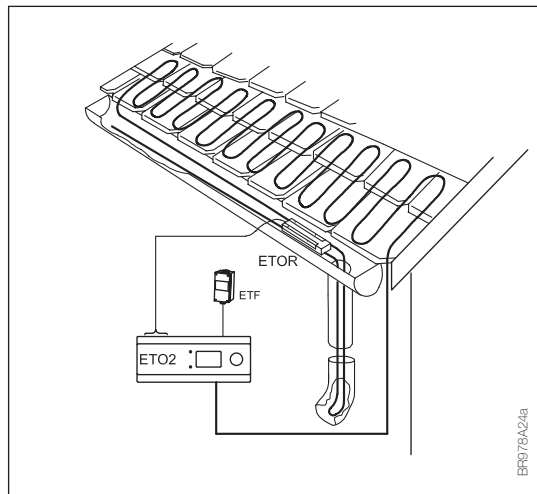
BR978A12b

Fig. 3 1-zone electric heating with ETOG sensor



BR978A23a

Fig. 4 1-zone electric heating with ETOR/ETF sensor



BR978A24a

Fig. 5 2-zone electric heating (roof/ground)

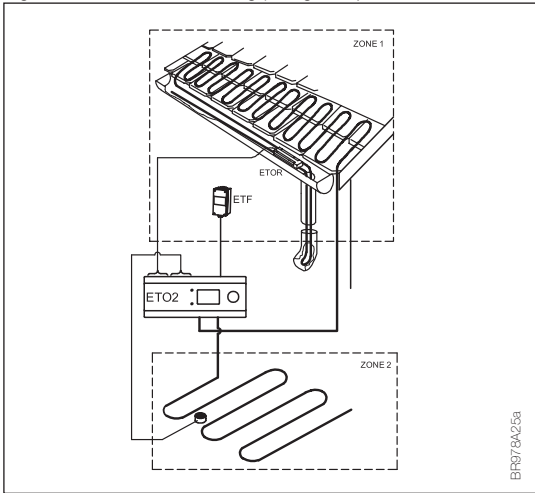


Fig. 6 ETOG connection

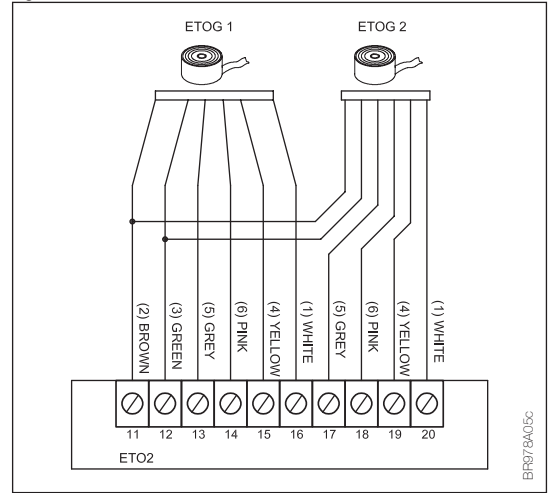


Fig. 7 ETO1 connection

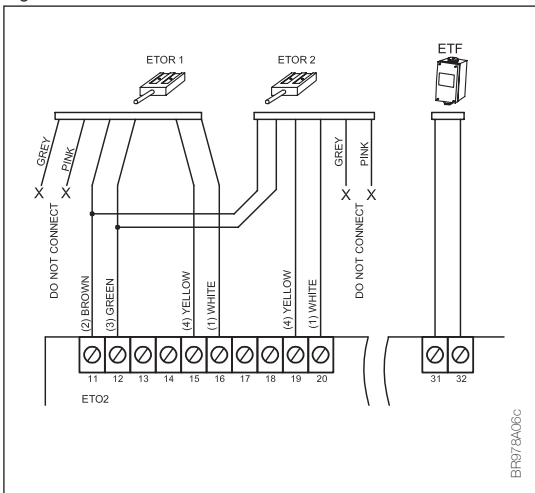
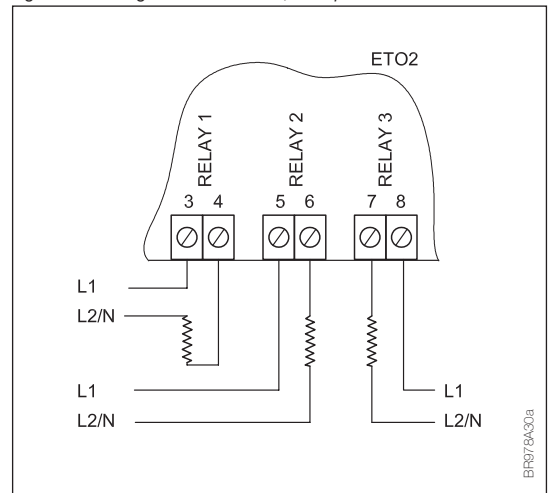


Fig. 8 Heating cable connection, example



Type ETO2

Fig. 9 Advanced 2-stage electric heating control (Y/Δ)

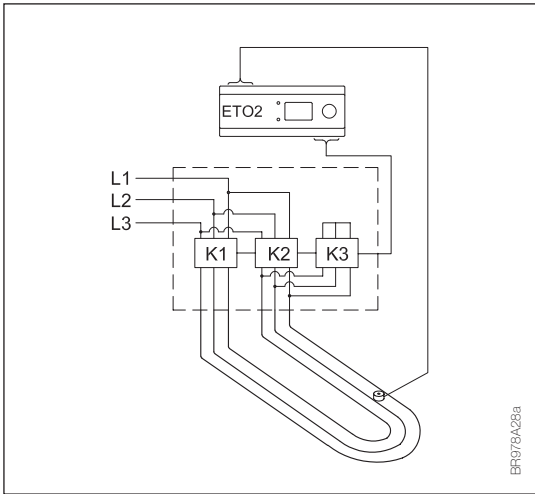


Fig. 10 Advanced 2-stage connection (Y/Δ)

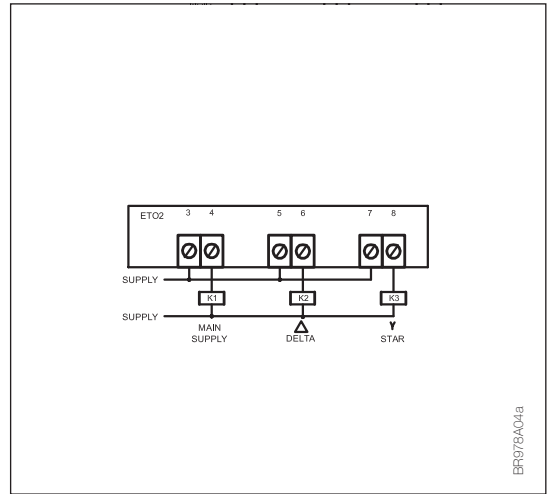


Fig. 11 1-zone hydronic heating control for controlling the supply water temp. with mixing valve

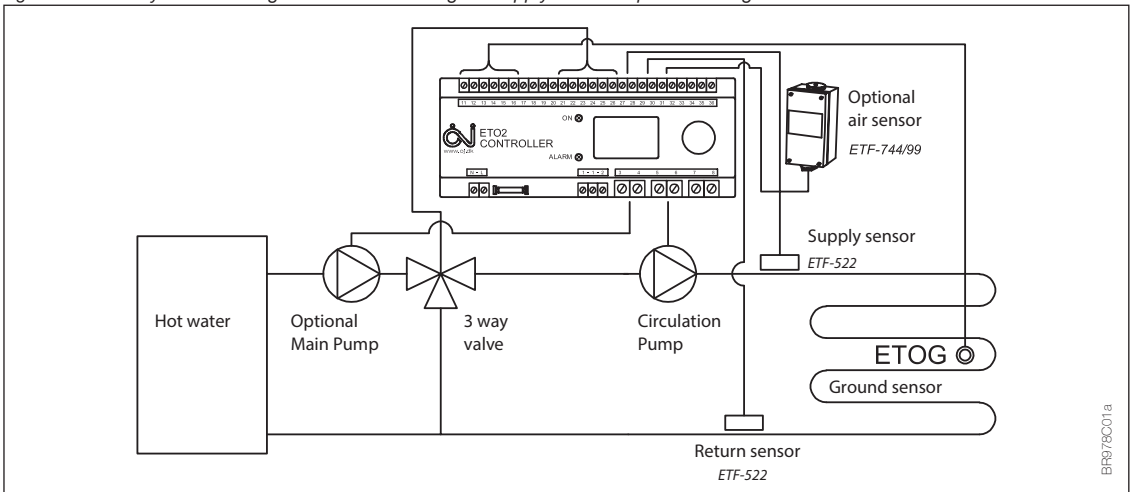
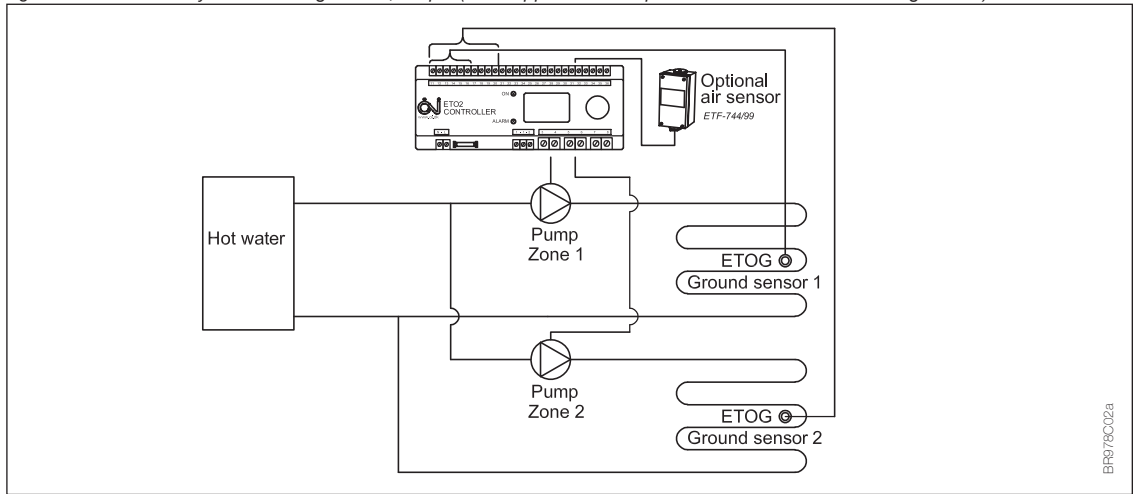
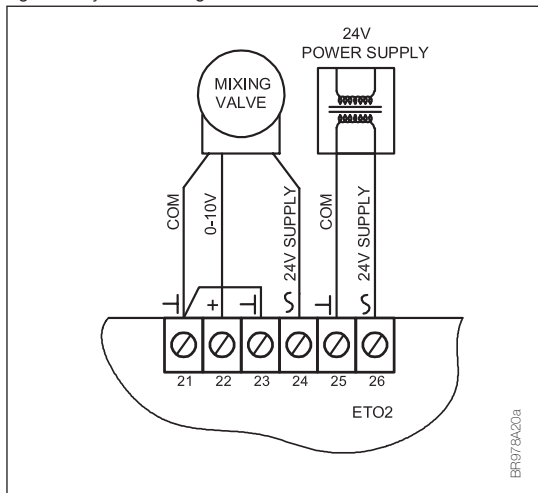


Fig. 12 1- or 2-zone hydronic heating control, simple (same application setup as 1- or 2-zone electric heating control)



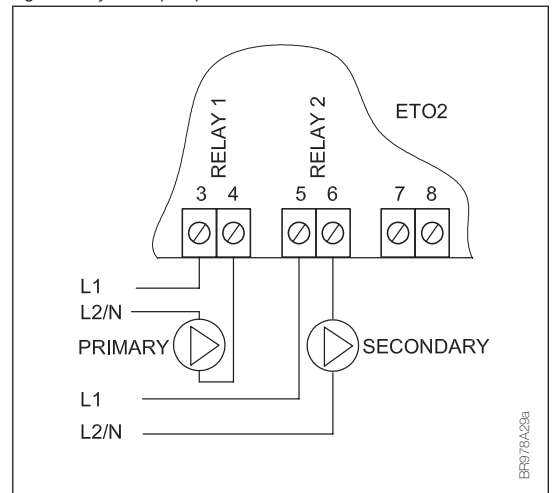
BR978C02a

Fig. 13 Hydronic mixing valve connection



BR979A20a

Fig. 14 Hydronic pump connection



BR979A20b

Fig. 15 Connections for remote control of standby and forced heat

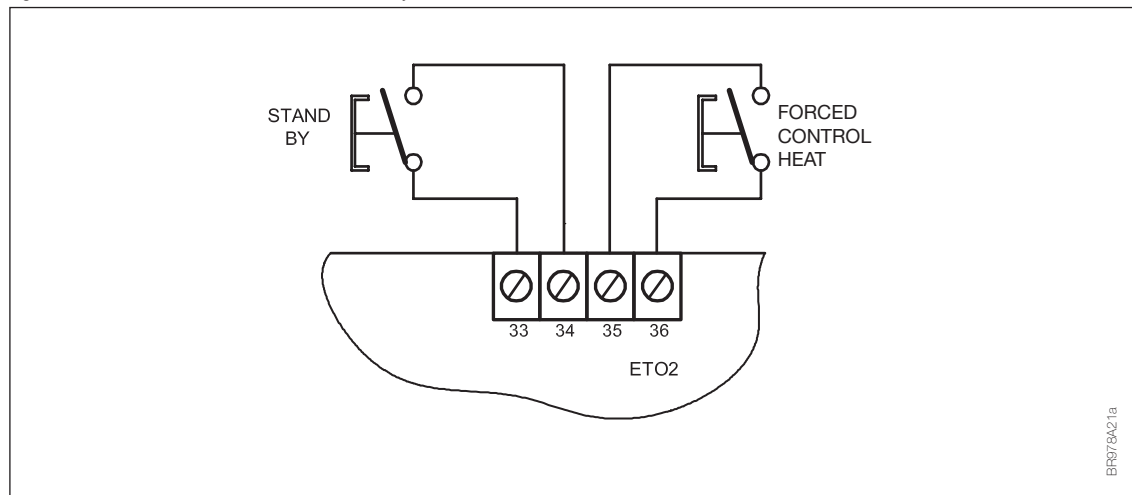
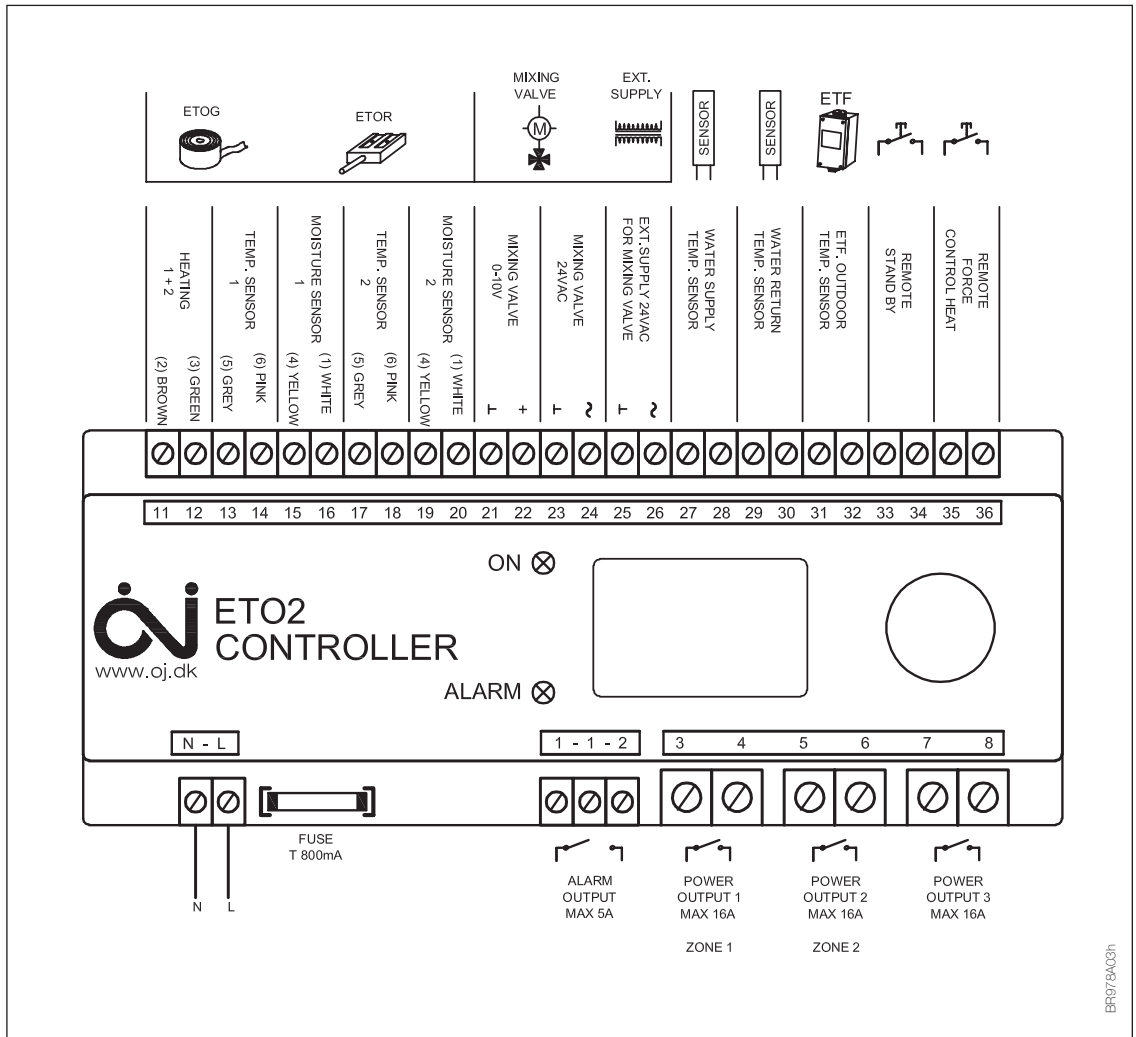


Fig. 16 ETO2 controller, terminal overview





OJ ELECTRONICS A/S

Stenager 13B · DK-6400 Sønderborg

Tel.: +45 73 12 13 14 · Fax +45 73 12 13 13

oj@ojelectronics.com · www.ojelectronics.com