



WarmlyYours

Be Connected.
Be Warm. Be Radiant.

AIR-SS-2

AERIAL SNOW SENSOR FOR SURFACE SNOW & ICE



Product Information

- ✓ Automatic snow sensor for reduced energy consumption in sidewalk, gutter/downspout snow and ice melting applications

- ✓ Slim design minimizes visual impact

- ✓ Mounts on 3/4" PVC conduit for easy installation

- ✓ Operates on safe low voltage power

- ✓ Simple three wire connections: 2 for power, 1 for signal output

- ✓ Wire colors match commonly available cable for easier installation

- ✓ Convenient power-on self-test to verify proper sensor operation

- ✓ Made with UV-tolerant and corrosion-resistant materials for long life

- ✓ Made in the U.S.A.

Specifications

The AIR-SS-2 is designed to work with a controller or contactor, optimizing energy usage in heated snow/ice melting applications. The AIR-SS-2 is also an excellent solution for building automation applications.

During dry or warm weather, the system's heaters are turned off to save energy costs. The heaters are turned on only when snow and/ or ice is present, and kept on only long enough to ensure complete melting and drying. Temperature and time parameters are preset for optimum system performance.

Typical applications include controlling snow melting systems or sidewalks, doorways, stairs, loading docks, ramps for the physically challenged and parking garages. Easy installation is another key AIR-SS-2 feature. Low voltage operation, up to 2,000' (609.6m) separation from the control panel, mast or roof mounting, and non-critical extension wiring are just a few of the features making this possible.



WarmlyYours

Be Connected.
Be Warm. Be Radiant.

AIR-SS-2

AERIAL SNOW SENSOR FOR SURFACE SNOW & ICE

Specifications

• INPUT POWER

24V AC 50/60Hz, 24V DC, or 24V full wave rectified AC/ pulsed DC 0.2A max

• OUTPUT

Relay contacts: 2A max, 30V

Relay contacts close when ambient temperature is at or below the set point temperature and precipitation is detected Relay contacts remain closed during pre-set delay after snow event ends.

Three wire connection (2 for power, 1 for relay)

• SET POINT TEMPERATURE

38°F

• HOLD-ON TIMES

Set 1 minute

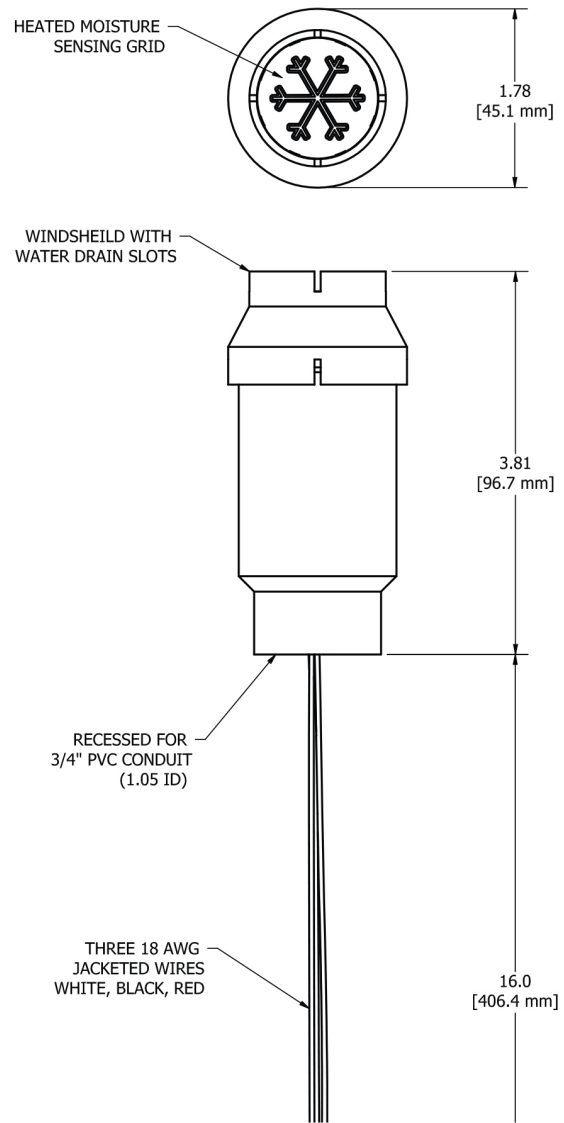
• DIMENSIONS

3-3/4 inches tall, 1-3/4 inches diameter

• STORAGE TEMPERATURE

-40°C to +85°C

Can be mounted 500 feet from the controller using 22ga cable or up to 1,000 ft. using 18ga cable (Depending on load requirements)



LIMITED WARRANTY

WarmlyYours two year limited warranty covering defects in workmanship and materials applies. Contact Customer Service for complete warranty information.

DISCLAIMER

WarmlyYours makes no representations or warranties, either expressed or implied, with respect to the contents of this publication or the products that it describes, and specifically disclaims any implied warranties of merchantability or fitness for any particular purpose. WarmlyYours reserves the right to revise this publication, and to make changes and improvements to the products described in this publication, without the obligation of WarmlyYours to notify any person or organization of such revisions, changes or improvements.