



WarmlyYours 

Be Connected.  
Be Warm. Be Radiant.

# Metropolitan Towel Warmer - Dual Connection 120 VAC

With this towel warmer’s polished finish and crisp, strong lines, the Metropolitan makes an immediate visual impact in any room. With two groups of five heated bars, this towel warmer has more than enough room to accommodate two large towels (or a bathrobe).

This towel warmer is also dual connect. It can be used “as is” to plug into a standard 120 VAC outlet or modified by a licensed electrician to be hardwired.

Its unique design means there is no unattractive and cumbersome cover plate required.

The Metropolitan comes with an LED power switch and TempSmart™ overheat protection to prevent the unit’s surface temperature from exceeding 167°F.



Available in:



Polished  
Stainless Steel

Dimensions

19.75" W x 41.5" H x 4.75" D

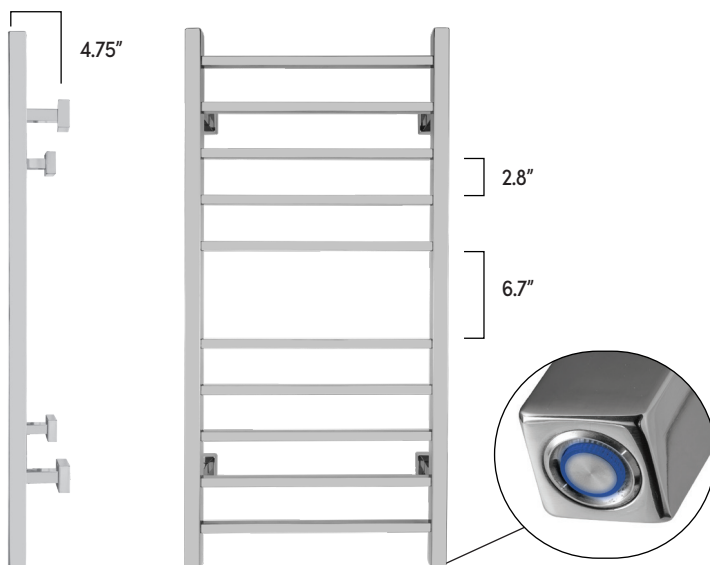


## Product Information

Model	Finish	MSRP
TW-MT-10PS-HP	Polished Stainless Steel	\$849.00 USD

### Specifications

Voltage:	120 volts
Watts:	150 watts
Number of Bars:	10
Cord Length:	77"
Construction Material:	304-stainless steel
Warranty:	2 years



## Features

- ✓ **Generous 10-Bar Design:** The Metropolitan towel warmer uses 10 polished stainless steel bars to evenly distribute heat, warming up to 2 large towels or bathrobe
- ✓ **Dual Connection:** The wall-mounted Metropolitan can be used as is for a plug-in connection or the cord can be modified by a licensed electrician for a hardwired connection (120 VAC)
- ✓ **Overheat Protection:** To prevent the unit’s surface temperature from exceeding 167°F this model comes with built-in TempSmart™ overheat protection
- ✓ **No Cover Plate Required:** Because this unit doesn’t require a gang-box or corresponding cover plate, it has a very streamlined and balanced appearance after installation