



WarmlyYours

Be Connected.
Be Warm. Be Radiant.

Towel Warmer Switch Testing and Replacing Instructions for Dual-Connect Models

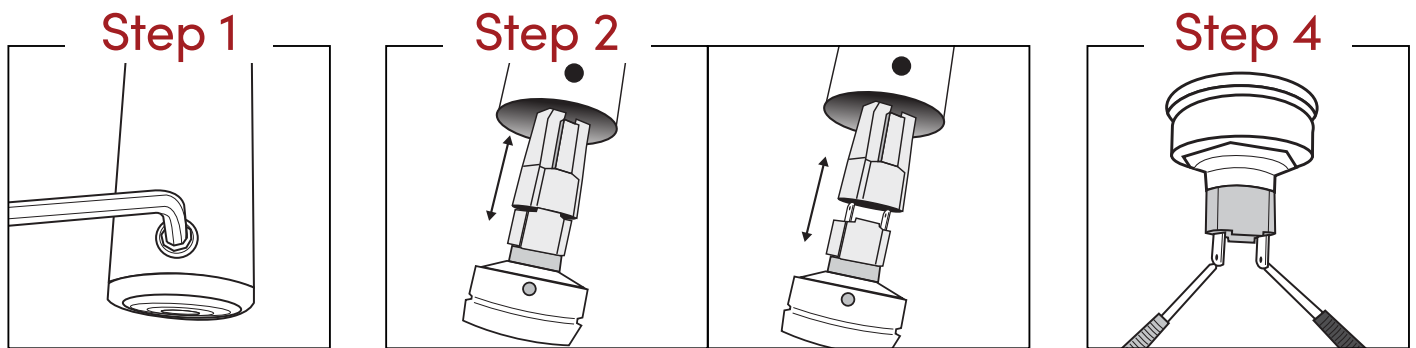
Testing the switch:

Step 1: Use TR20 Torx Security bit to remove the setscrew and pull the switch assembly out.

Step 2: Unplug the switch assembly from the towel warmer connector.

Step 3: Place the switch in the "ON" position.

Step 4: Set the multimeter to ohm resistance (tone setting) and test between the two bigger/wider prongs. Any resistance value greater than 1 and a tone would indicate normal operation. "1", "OL", "Ω", "0" and "no tone" would indicate that the switch is faulty and needs to be replaced. Verify that the reading on the meter changes with each "ON" and "OFF" position change.



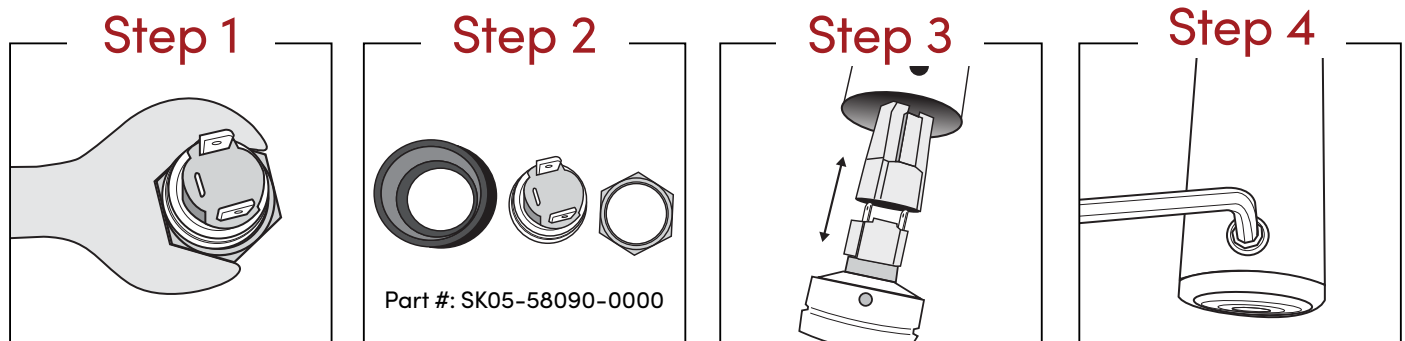
Replacing the switch:

Step 1: Use 7/8" wrench (22mm) to remove the retaining nut and remove the old switch from the switch casing.

Step 2: Insert a new switch (SK05-58090-0000) into the switch casing and tighten the retaining nut.

Step 3: Plug the new switch assembly into the towel warmer connector.

Step 4: Insert the switch assembly into the towel warmer. Insert the setscrew into the warmer and use the hex key to tighten it, securing the switch assembly in place.



Note: All meters are not the same, information shown on the screen of the meter being used may not match these instructions exactly.