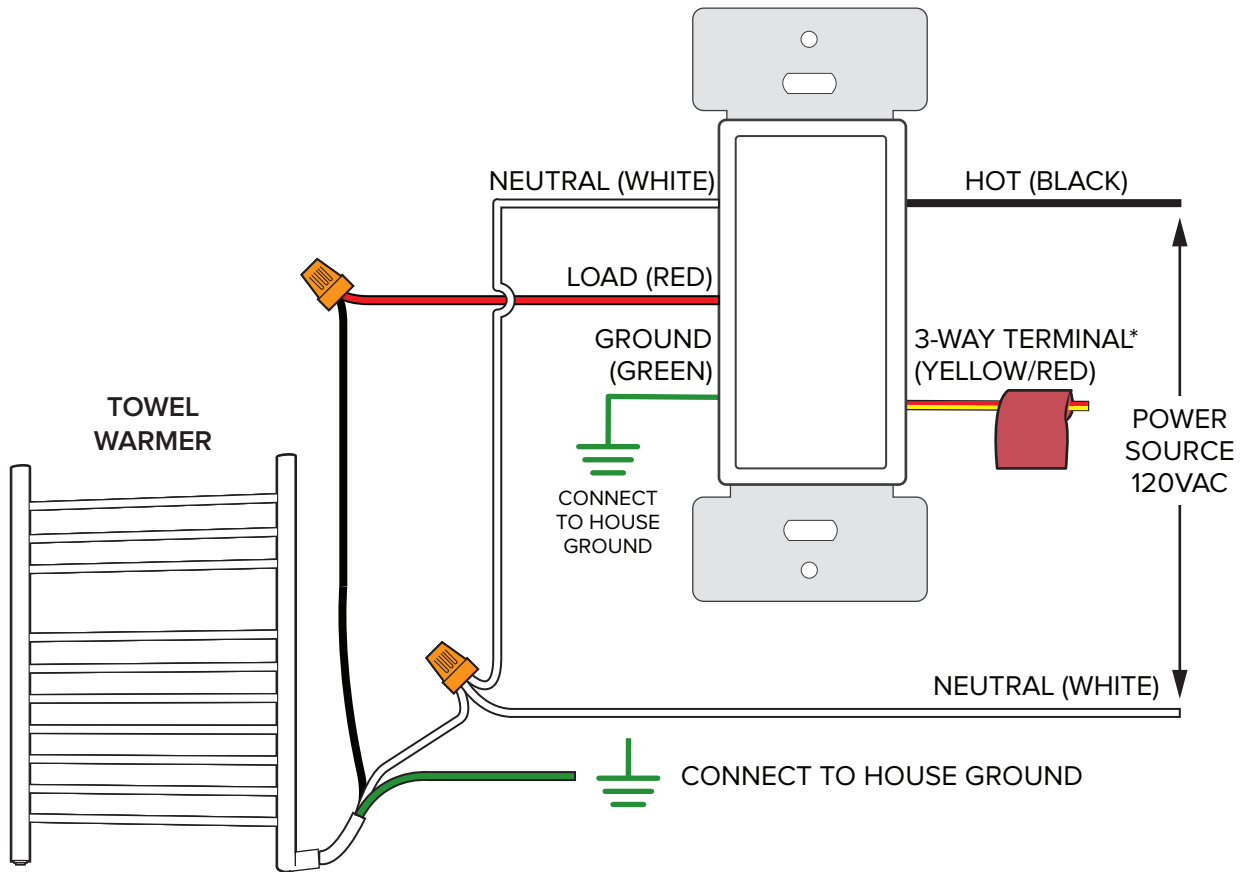
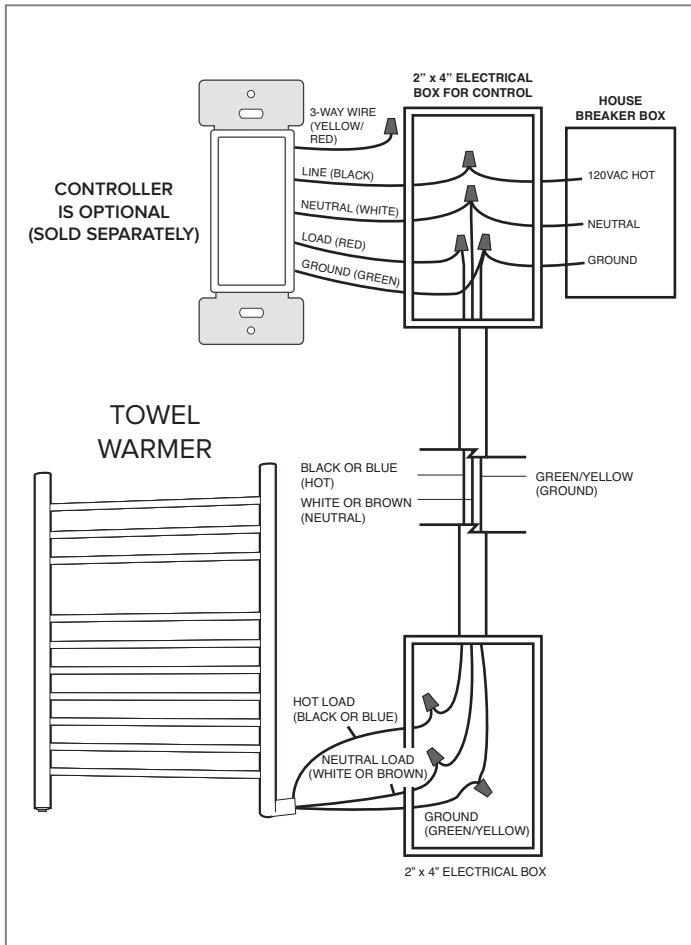


## WIRING DIAGRAM FOR TOWEL WARMERS WITH HARDWIRED TIMERS OR SWITCHES

(GK16-30090-0001, GK16-30090-0003, GK16-30090-0002)

### ELECTRICAL ROUGH-IN



### ENSURE THE SYSTEM IS GROUNDED

\* - WE RECOMMEND TO ISOLATE THE YELLOW 3-WAY WIRE FROM THE OTHER WIRES USING A SOLDERLESS WIRE-NUT CONNECTOR.