



WarmlyYours

Be Connected.  
Be Warm. Be Radiant.

## Infinity Towel Warmer Series - Dual Connection 120VAC

The Infinity towel warmer is as convenient as it is versatile. With enough space for 2 large towels to be warmed at one time, it's made of stainless steel and features a variety of beautiful finishes.

This towel warmer is also dual connect. It can be used "as is" to plug into a standard 120 VAC outlet or modified by a licensed electrician to be hardwired.

Its unique design means there is no unattractive and cumbersome cover plate required.

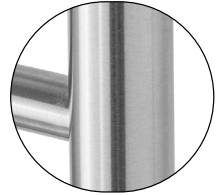
The Infinity comes with an LED power switch and TempSmart™ overheat protection to prevent the unit's surface temperature from exceeding 167°F (75°C).



Also Available in:



Polished  
Stainless Steel



Brushed  
Stainless Steel

### Dimensions

23.6" W x 32" H x 4.75" D  
600 mm W x 813 mm H x 121 mm D

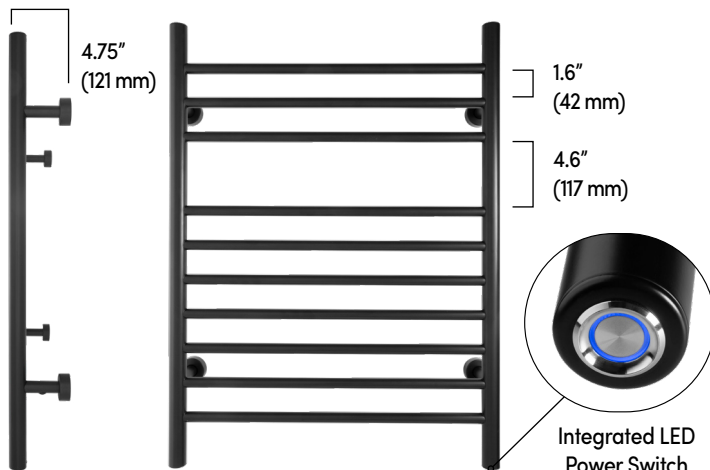


## Product Information

Model	Finish	MSRP
TW-F10BS-HP	Brushed Stainless Steel	\$799.00 CAD
TW-F10PS-HP	Polished Stainless Steel	\$799.00 CAD
TW-F10KS-HP	Matte Black Stainless Steel	\$829.00 CAD

### Specifications

Voltage:	120 volts
Watts:	150 watts
Number of Bars:	10
Cord Length:	77" (195.5 cm)
Construction Material:	304-stainless steel
Warranty:	2 years



## Features

- ✓ **Variety of Finishes:** The 10-bar Infinity is made out of 304-stainless steel and is available in a polished, brushed, or matte black finish.
- ✓ **Overheat Protection:** This model comes with built-in TempSmart™ overheat protection to prevent the unit's surface temperature from exceeding 167°F (75°C)
- ✓ **Dual Connection:** The wall-mounted Infinity uses 120 VAC input power can be used as is for a plug-in connection or the cord can be modified by a licensed electrician for a hard-wired connection
- ✓ **No Cover Plate Required:** Because this unit doesn't require a gang-box or corresponding cover plate, it has a very streamlined and balanced appearance after installation