



WarmlyYours

Be Connected.  
Be Warm. Be Radiant.

## Malta Towel Warmer Series - Hardwired Connection 120 VAC

The Malta towel warmer from WarmlyYours is a beautiful, large model that perfectly blends high-performance functionality with stunning aesthetics. With 11 heated, round bars the Malta boasts an impressive heat output of 443 BTUs per hour.

This wall-mounted model will be able to warm and/or dry a large variety of towel shapes and sizes. The Malta's hardwired connection (120 VAC) provides a sleek appearance without having to worry about visible wires or plugs.

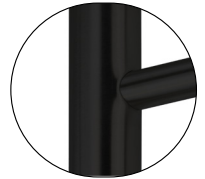
The Malta comes with either a matte black or polished finish. This model comes with built-in TempSmart™ protection to prevent the unit from overheating.



Available in:



Polished  
Stainless Steel



Matte Black  
Stainless Steel

### Dimensions

24.8" W x 41.33" H x 4.3" D  
630 mm W x 1,050 mm H x 109 mm D

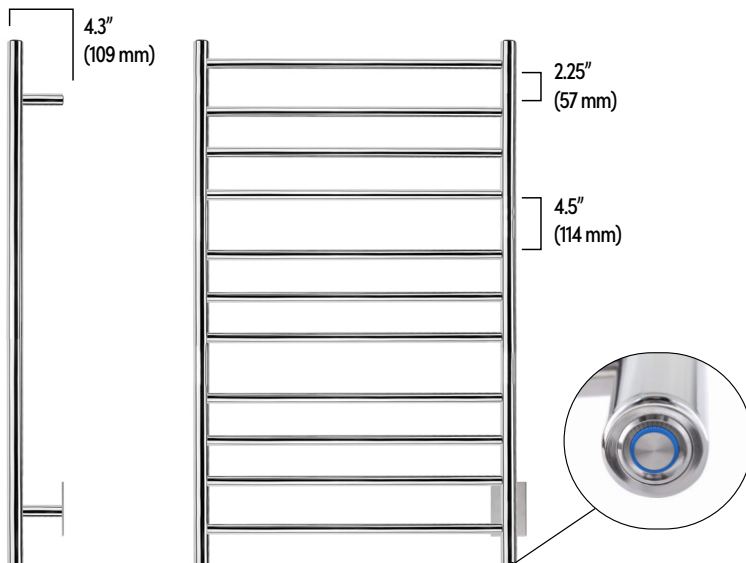


## Product Information

| Model        | Finish                      | MSRP  |
|--------------|-----------------------------|-------|
| TWS4-MLT11PH | Polished Stainless Steel    | \$649 |
| TWS4-MLT11KH | Matte Black Stainless Steel | \$799 |

### Specifications

|                        |   |
|------------------------|---|
| Voltage:               | 120 volts   |
| Watts:                 | 130 watts   |
| Number of Bars:        | 11  |
| Construction Material: | 304-stainless steel (Polished) or 201-stainless steel (Matte Black) |
| Warranty:              | 5 years   |



## Features

- ✓ **Variety of Finishes:** The Malta is made out of durable stainless steel and is available with a polished or matte black finish
- ✓ **Hardwired:** Wall-mounted with cord-free design, the Malta hangs beautifully in any bathroom and is hardwired for 120 volts
- ✓ **TempSmart Overheat Protection:** This model comes with built-in TempSmart™ overheat protection to prevent the unit's surface temperature from exceeding 149°F (65°C)
- ✓ **5-Year Warranty:** The Malta is covered by our manufacturer's warranty for peace of mind