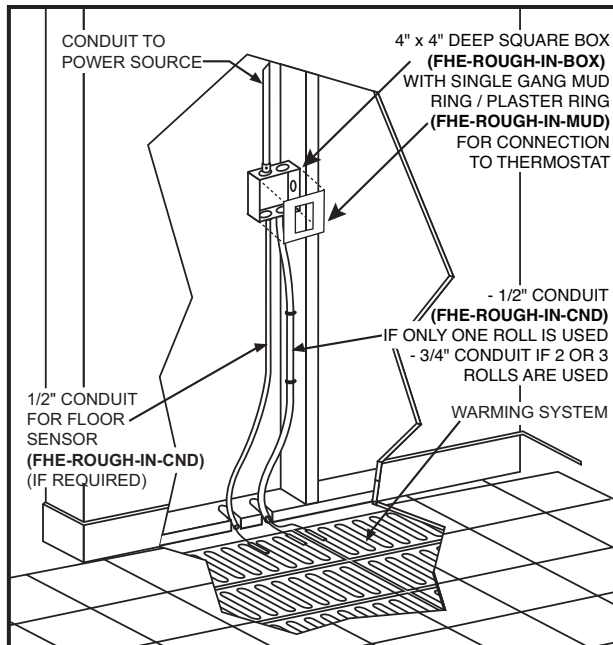


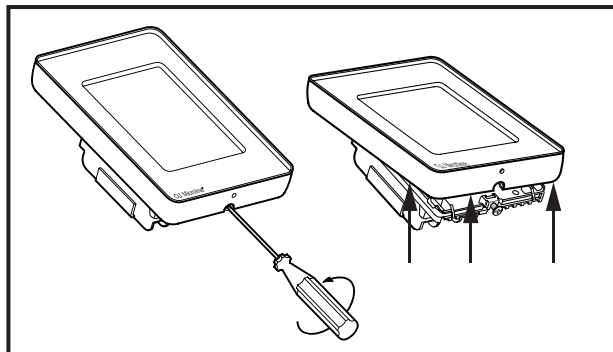
MULTIPLE ROLL WIRING DIAGRAM

For 120V & 240V Single Conductor TempZone with nSpire Touch Wi-Fi (UWG4), nSpire Touch (UDG4), nHance (UDG), nTrust (UTN4), nJoin (USG)

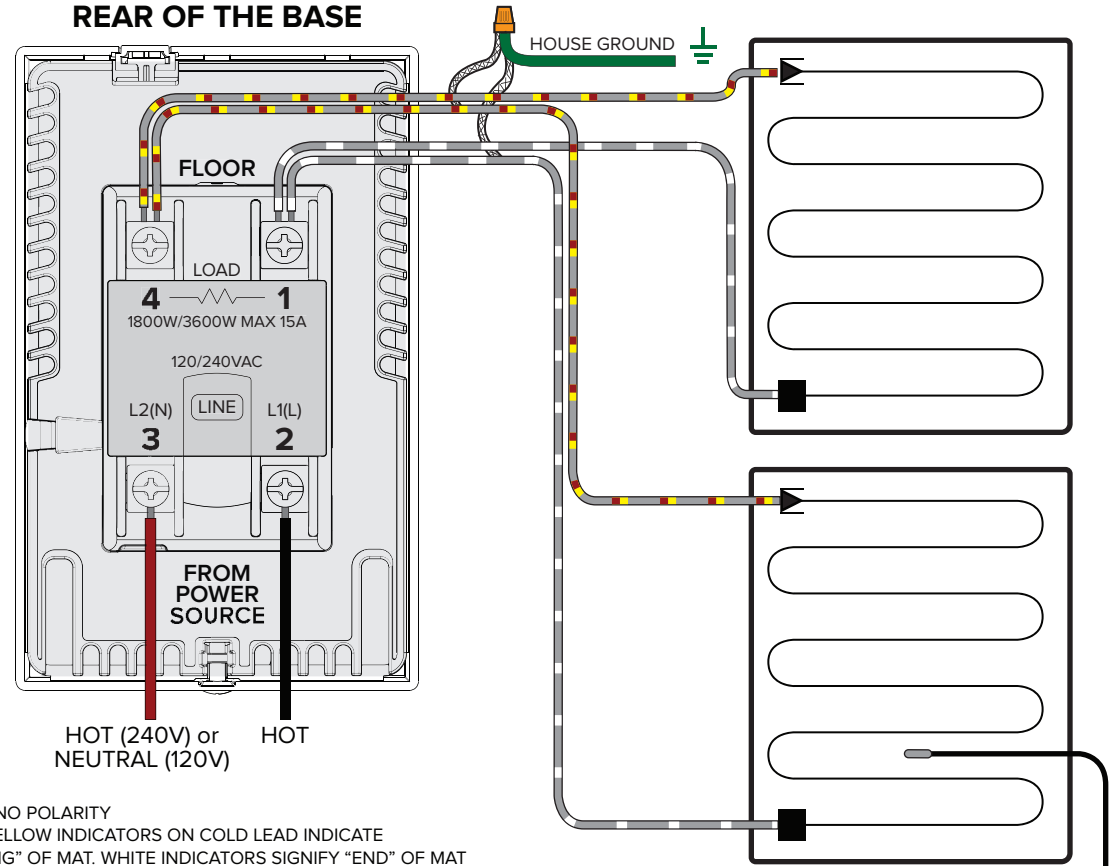
ELECTRICAL ROUGH-IN



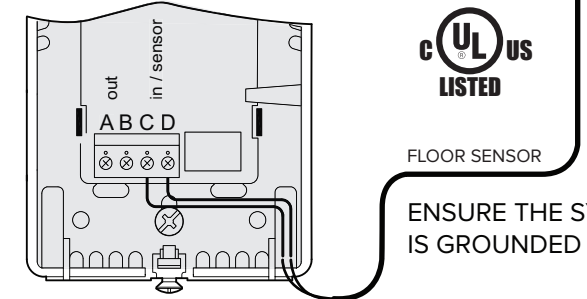
FACEPLATE REMOVAL



REAR OF THE BASE



FRONT OF THE BASE



1. MAT HAS NO POLARITY
2. RED OR YELLOW INDICATORS ON COLD LEAD INDICATE "BEGINNING" OF MAT. WHITE INDICATORS SIGNIFY "END" OF MAT
3. COLD LEAD IS 13" AT "BEGINNING" OF MAT, 26" AT "END" OF MAT (20' & 40' LEADS ON 3' WIDE MATS)
4. ENSURE THAT ALL COLD LEADS PRESENT IN THERMOSTAT BOX ARE THE SAME DIAMETER
5. DO NOT SHORTEN THE MAT
6. DO NOT CUT THE HEATING WIRE
7. ALWAYS TEST OHMS OF ROLL BEFORE, DURING AND AFTER INSTALLATION
8. ALWAYS TEST SENSOR AND VERIFY 8-15 K OHM RESISTANCE
9. NEVER INSTALL ELECTRIC FLOOR HEATING UNDER PERMANENT FIXTURES
10. THE INSTALLATION MUST COMPLY WITH ALL NATIONAL AND LOCAL ELECTRICAL AND BUILDING CODES, INCLUDING AUTHORITY HAVING JURISDICTION.