

# Plug-in Outlet with Wi-Fi Technology

## decora smart™



### APPLICATIONS

Schedule your plug-in lamps, holiday lighting or small appliances to turn on/off from anywhere. Installation is simple and requires no new wiring – simply plug in the device. Control connected loads and lights using the free My Leviton app for iOS and Android, no hub required. Simplify control of the residence - schedule lights and connected loads to turn on/off at specific times or based on sunrise/sunset, easily group smart devices into rooms, and create scenes to activate multiple loads at once.

Works with Nest® and integrates with IFTTT. Utilize auto-shutoff feature as a countdown timer in closets, hallways and bathrooms. Engage home vs. away to enact randomization of lighting control, providing a lived-in appearance.

Ideal for any residential setting where remote ON/OFF switching of appliances, motor loads up to 1/2 HP, or freestanding lights, including LED, Incandescent, Inductive, Fluorescent or Compact Fluorescent loads is needed. Typical applications include switching of lamps, portable fans, kitchen appliances, indoor fountains and more.

Reduce energy consumption, provide dramatic scene transitions, and utilize the affordable plug-in for wireless control of lamps, small appliances, holiday lighting and more.

### WORKS WITH NEST®

Add lighting control to your Nest eco-system. Turn Leviton lights on if a Nest Cam™ detects motion in an area. Adjust Leviton lights based on when Nest says you are home or away. Set illumination time durations and even “blink” all lights during an emergency situation.

### AMAZON ALEXA VOICE CONTROL

Compatible with all products that support Amazon Alexa providing voice control of the load: “Alexa, turn on living room lights”. Alexa devices sold separately.

### GOOGLE ASSISTANT VOICE CONTROL

“Ok Google, turn [My Leviton device name] On”. Works with the Google Assistant. Google Home is a voice enabled speaker powered by the Google Assistant. Easily control smart devices around the home. (Google Assistant devices sold separately).

### BENEFITS

- Control your lights from anywhere using the free My Leviton app for iOS and Android, no hub required.
- Amazon Alexa products provide voice control: “Alexa, turn on living room lights”.
- Works with Google Assistant including Google Home for voice control. “Ok Google, turn [Google room name] On”.
- Works with Nest – for instance – turn on a light when camera detects motion, an alarm goes off, or when Nest says you are Home or Away
- Integrate with IFTTT for additional third-party functionality
- Simplify control of your home – schedule lights and connected loads to turn on/off at specific times or based on sunrise/sunset, easily group your smart devices into rooms, and create scenes to activate multiple lights at once.

### Leviton Manufacturing Co., Inc. Global Headquarters

201 N. Service Rd. Melville, NY 11747-3138 Tech Line: 1-800-824-3005 Fax: 1-800-832-9538

### Leviton Manufacturing Co., Inc. Energy Management, Controls and Automation.

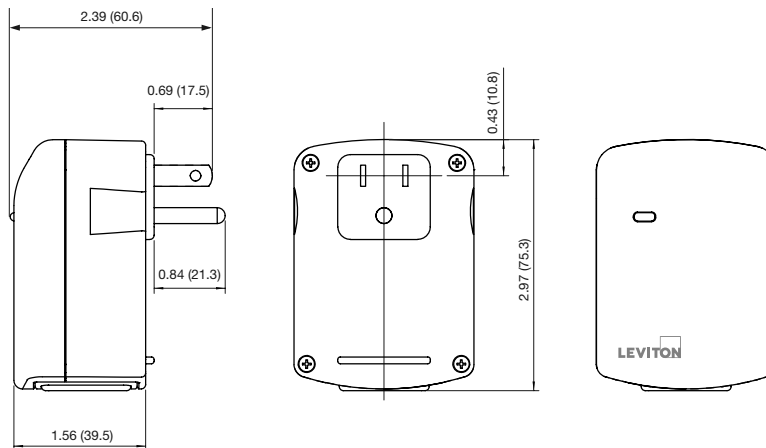
865 Fulton St., Suite 500, New Orleans, LA, 70130. Tel: 504 608-9001

Visit our Website at: [www.leviton.com/decorasmart](http://www.leviton.com/decorasmart)

©2018 Leviton Manufacturing Co., Inc. All rights reserved. Subject to change without notice.

**DRAWING**

**DW15A**



**FEATURES**

- Quiet relay switching
- Transient surge protection to IEC Level 4
- ESD protection to IEC 1000 4-2 Level 4 to protect against damage
- Indoor use
- Green LED locator
- Provides 15A, 120 VAC NEMA 5-15R grounding receptacle for use with a wide variety of lamps and appliances
- Protected memory maintains ON/OFF status of loads and during minor power fluctuations
- Button for ON/OFF manual control
- Control up to 99 devices, 50 schedules, 50 activities, 50 scenes, 50 rooms, and 20 residences within the My Leviton app

**RATINGS**

- 120 VAC, 60 Hz
- 1800W Incandescent
- 5A LED/CFL
- 1800VA Fluorescent
- 15A Resistive
- 1/2 HP Motor

**AGENCY STANDARDS AND COMPLIANCE**

- Complies with UL 917
- CSA Certified (File #003413)
- NOM-ANCE Certified
- Wi-Fi CERTIFIED™
- Complies with FCC Part 15, Class B

**WARRANTY INFORMATION**

- Five-Year Limited Warranty

Plug-in Outlet with Wi-Fi Technology

**Leviton Manufacturing Co., Inc. Global Headquarters**

201 N. Service Rd. Melville, NY 11747-3138 Tech Line: 1-800-824-3005 Fax: 1-800-832-9538

**Leviton Manufacturing Co., Inc. Energy Management, Controls and Automation.**

865 Fulton St., Suite 500, New Orleans, LA, 70130. Tel: 504 608-9001

Visit our Website at: [www.leviton.com/decorasmart](http://www.leviton.com/decorasmart)

©2018 Leviton Manufacturing Co., Inc. All rights reserved. Subject to change without notice.

SAT-10111  
REV FEB 2018