



WarmlyYours 

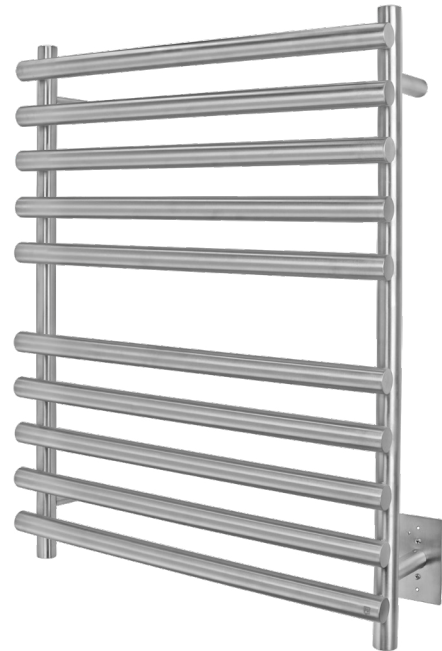
Be Connected.
Be Warm. Be Radiant.

Rome Towel Warmer - Hardwired Connection 120 VAC

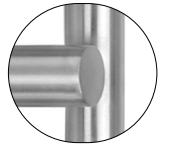
The Rome towel warmer from WarmlyYours has a boldly modern design with an emphasis on high performance. This wall-mounted model comes with 10 heated bars which help the Rome put out an impressive 426 BTUs per hour.

The three-dimensional cross-lay of the round bars ensures the Rome will be able to warm or dry your towels and bathrobes. When installed, the hardwired electrical connection (120 VAC) of this model means there will be no visible wires or cords. The Rome comes with a brushed finish and a durable 304-stainless steel construction which help add to the modern, industrial-chic appearance of this model.

This model comes with built-in TempSmart™ overheat protection to prevent the unit's surface temperature from exceeding 149°F (65°C).



Available in:



Brushed
Stainless Steel

Dimensions
25.6" W x 31.5" H x 6" D
650 mm W x 800 mm H x 152 mm D

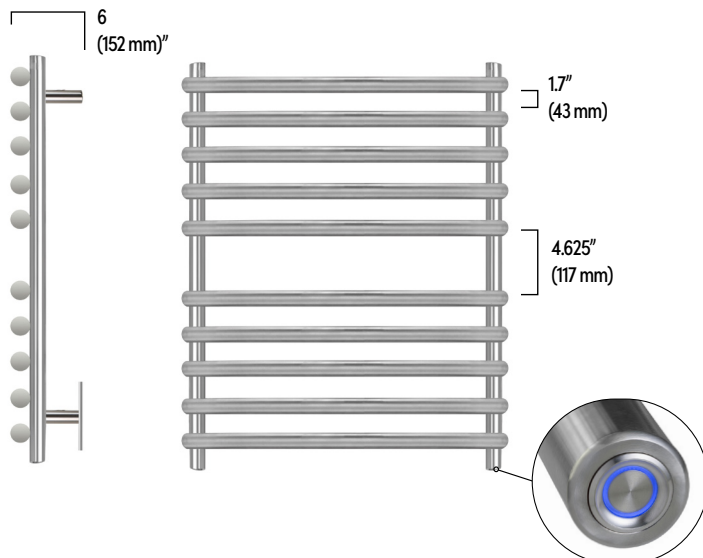


Product Information

Model	Finish	MSRP
TWS7-ROM10BH	Brushed Stainless Steel	\$799

Specifications

Voltage:	120 volts
Watts:	125 watts
Number of Bars:	10
Construction Material:	304-stainless steel
Warranty:	5 years



Features

- ✓ **Generous 10-Bar Design:** The Rome towel warmer uses 10 brushed stainless steel bars to evenly distribute heat, warming up to 2 large towels or bathrobes
- ✓ **Hardwired:** Wall-mounted with cord-free design, the Rome hangs beautifully in any bathroom and is hardwired for 120 volts
- ✓ **TempSmart Overheat Protection:** This model comes with built-in TempSmart™ overheat protection to prevent the unit's surface temperature from exceeding 149°F (65°C)
- ✓ **5-Year Warranty:** The Rome is covered by our manufacturer's warranty for peace of mind