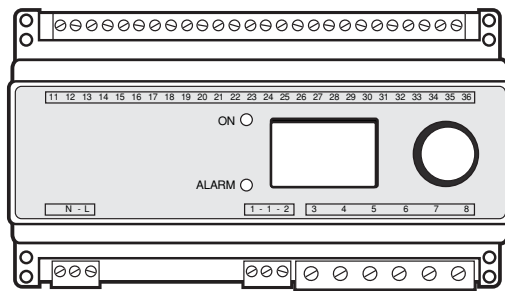
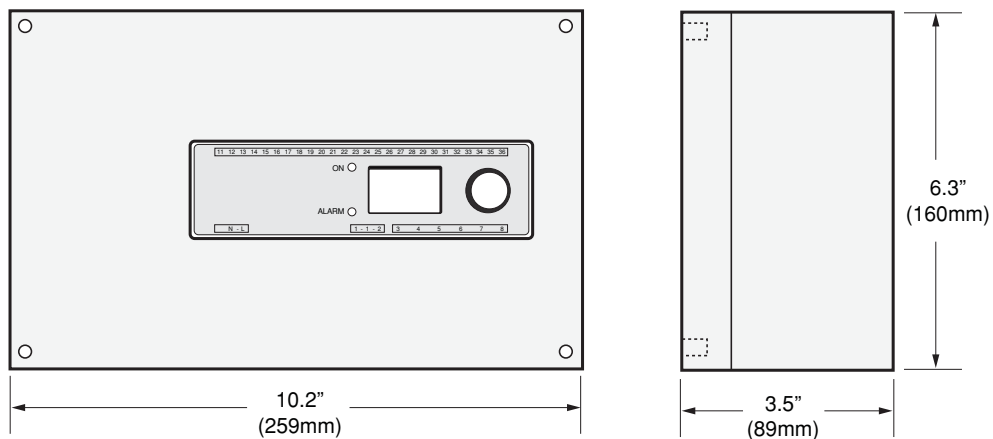




**FEATURES & BENEFITS**

- Automatic snow/ice melting control
- Detection of temperature and moisture
- Includes UL Listed wall mounted metal enclosure
- Easy to program and affordable
- Digital interface
- Can utilize up to 2 slab mounted snow sensors (SLAB-SS)
- CSA Certified for use in Canada and US



(Inside Metal Box)

**DESCRIPTION**

The SCE-120 Economy Snow Melt Control is a fully automatic solution for snow and ice melting on outdoor areas. This control detects both temperature and moisture and the heating system will only be activated if snow or ice is indicated by both sensors.

The SCE-120 is suitable for controlling WarmlyYours snow melting systems in 1 or 2 zones. Easy to operate and program with simple controls and backlit graphic display.

Programmable in either Fahrenheit or Celsius temperature settings.

Comes complete with approved wall-mounting box and terminals for easy power supply connections. Installation must be performed in accordance with National and local codes. CSA certified for use in Canadian and US markets. CAN/CSA E 60730-2-9:01, UL 60730-2-9



# SPECIFICATIONS

## General

Area of use . . . . . Nonhazardous locations  
 Approvals . . . . . CAN/SCA E 60730-29:01, UL 60730-2-9

## Enclosure

Rating . . . . . IP 20 / Nema 1 (indoor)  
 Entries . . . . . By installer, drill as required  
 Mounting . . . . . Wall mounted  
 Dimension . . . . . 10-1/4" (260mm) length  
                             x 6-5/16" (160mm) high  
                             x 3-5/8" (92mm) deep - (includes box)  
 Weight . . . . . 6.2 lbs (2.8kg) (includes box)

## Control

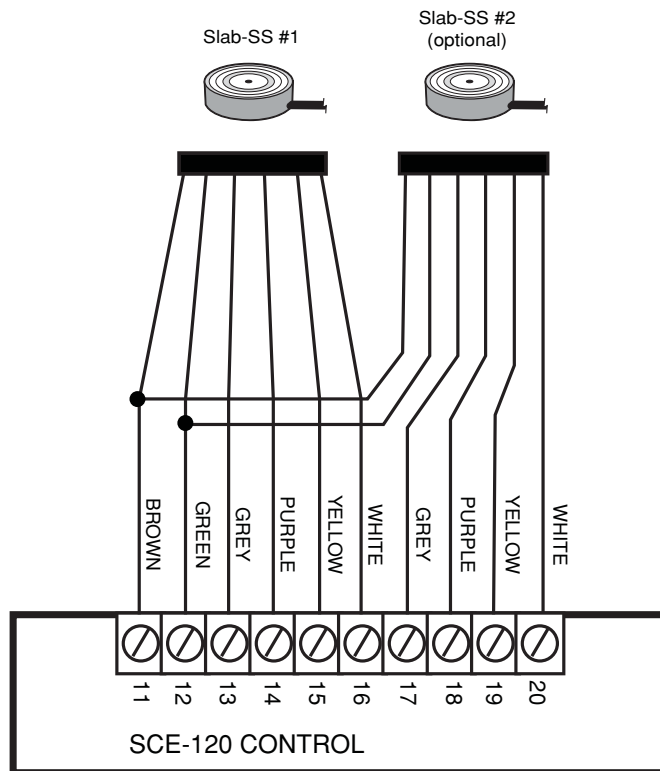
Supply . . . . . 120V + 10%, 50-60 HZ  
 Output relays . . . . . Three, .3x16A  
 Alarm relay . . . . . Max .5A

## Snow Melt Sensors

Sensor type . . . . . Up to 2 SLAB-SS slab-mounted snow  
                             . . . . . sensors  
 Circuit type . . . . . NEC Class 2 (24V)  
 Lead length . . . . . 33 Ft (10m)

## Environmental

Operating temperature 32°F to 122° F ( 0°C to 50°C)



# ORDERING INFORMATION

ORDER NUMBER	DESCRIPTION	SNOW MELT SENSORS (SOLD SEPARATELY)
SCE-120	ECONOMY SNOW MELT CONTROL	SLAB-SS SLAB-MOUNTED SNOW SENSOR

# LIMITED WARRANTY

WarmlyYours 2-year limited warranty covering defects in workmanship and materials applies. Contact your Account Manager for complete warranty information.

This document is the property of WarmlyYours. Subject to change without notice.

10209 6/09