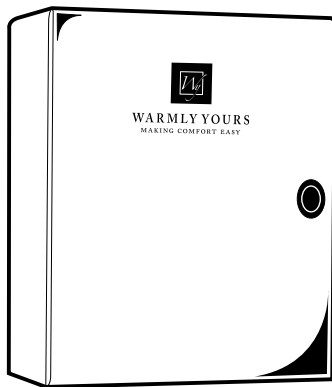


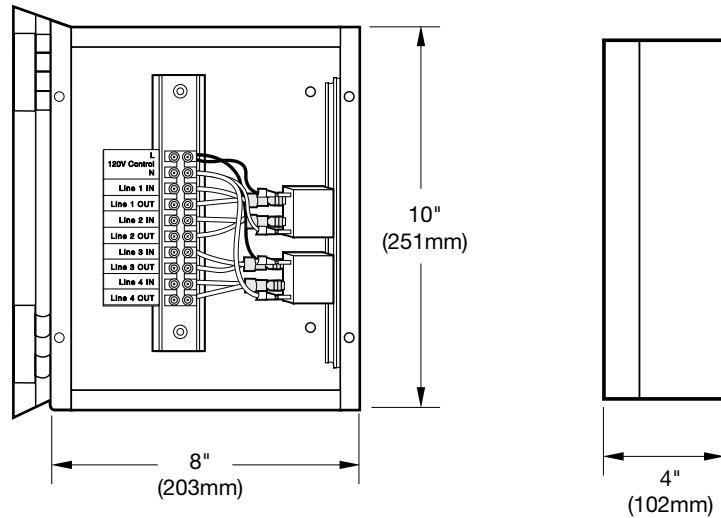


FEATURES & BENEFITS

- NEMA 1 enclosure
- Ultra silent power switching panels
- Terminals labeled for easy wiring
- CUL & UL Listed
- Also suitable for slab heating and roof deicing applications
- Relays are rated for up to 24 amps
- Front door easy lock clasp operates with a coin or large screwdriver.



RLY-4PL



DESCRIPTION

These virtually silent load switching panels are ideally suited for snow melting cables and mats. The power relays are rated for up to 24 amps, the maximum allowable current for a 30 amp circuit breaker per the National Electrical Code. The relays are housed in NEMA 1 indoor enclosures, and are equipped with clearly labeled terminals for ease of wiring. All components are UL Recognized. The panels are for 120, 208, 240 or 277 VAC cables.

In slab heating installations, the panels can be activated by 120 VAC switched from a WarmlyYours floor warming thermostat. In snow melting installations, the panels can be activated by 120 VAC switched from a WarmlyYours snow melting controller (SCP-120, SCE-120, or SCM-120)



SPECIFICATIONS

ModelRLY-4PL

Enclosure.....NEMA 1

Dimensions10" x 8" x 4" (254mm x 203mm x 102mm)

Contains2 relays for a total of 4 poles

Controls4 circuits at 120 VAC or 277 VAC or 2 circuits at 208 VAC or 240 VAC

ModelRLY-8PL

Enclosure.....NEMA 1

Dimensions12" x 10" x 4" (305mm x 254mm x 102mm)

Contains4 relays for a total of 8 poles

Controls8 circuits at 120 VAC or 277 VAC or 4 circuits at 208 VAC or 240 VAC

ModelRLY-12PL

Enclosure.....NEMA 1

Dimensions16" x 12" x 4" (406mm x 305mm x 102mm)

Contains6 relays for a total of 12 poles

Controls12 circuits at 120 VAC or 277 VAC or 6 circuits at 208 VAC or 240 VAC

NOTE: Relays do NOT contain circuit breaker devices.

ORDERING INFORMATION

ORDER NUMBER	DESCRIPTION
RLY-4PL	Small Relay Panel, 4 Pole, 120V Coils
RLY-8PL	Medium Relay Panel, 8 Pole, 120V Coils
RLY-12PL	Large Relay Panel, 12 Pole, 120V Coils

LIMITED WARRANTY

WarmlyYours 2-year limited warranty covering defects in workmanship and materials applies. Contact your Account Manager for complete warranty information.

This document is the property of WarmlyYours. Subject to change without notice.

10210-A 9/2012