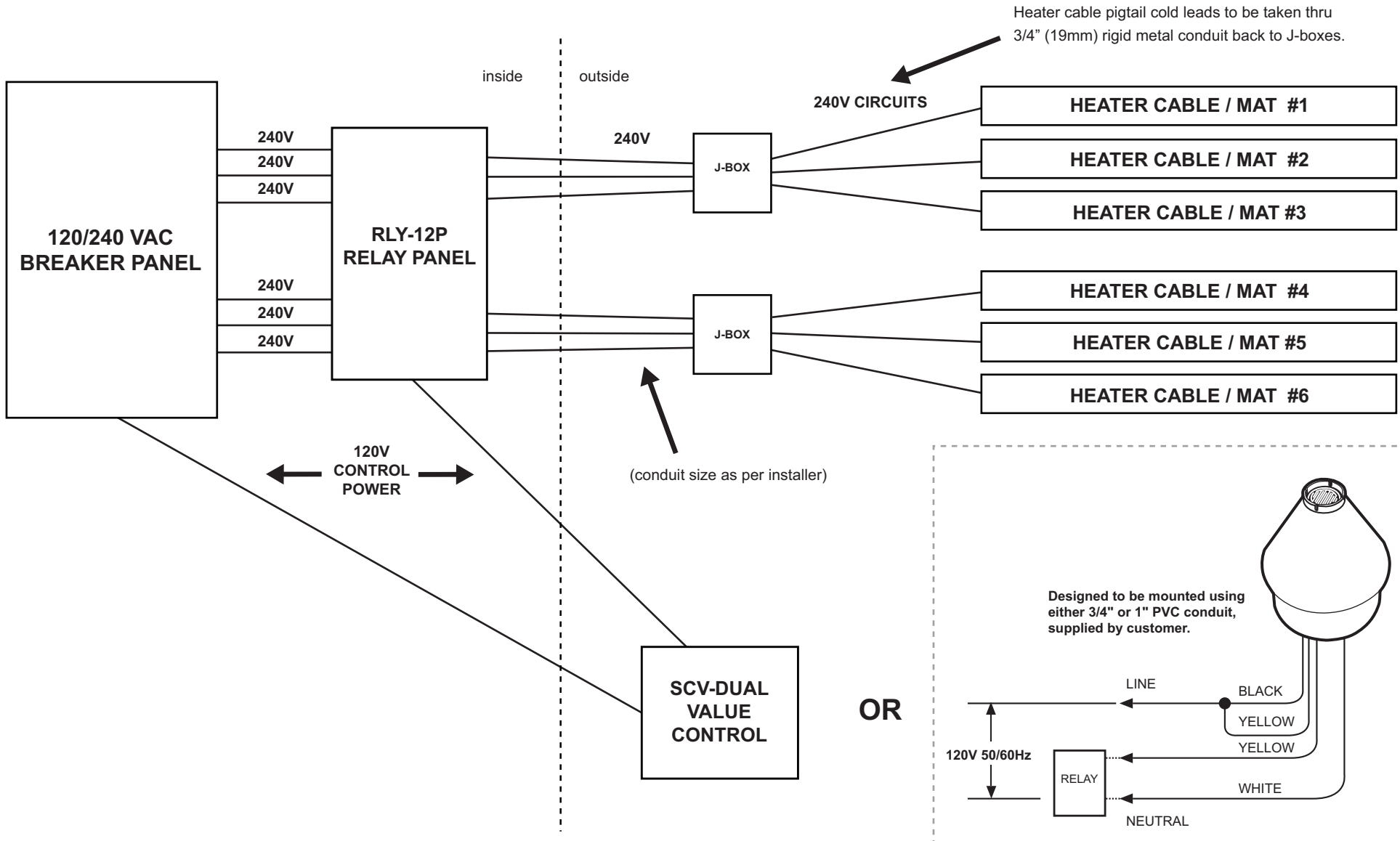




**SNOW MELT LINE DIAGRAM: SCV-DUAL**  
ONE OR MORE CIRCUITS  
WITH RELAY PANEL



INSTALL IN ACCORDANCE WITH THE REQUIREMENTS OF ALL APPLICABLE ELECTRICAL AND BUILDING CODES AND REGULATIONS. ENSURE THAT ALL CONDUIT/CABLE TERMINATIONS ARE WATERTIGHT.

**120 VOLT AC**