



Material and Tools Required:

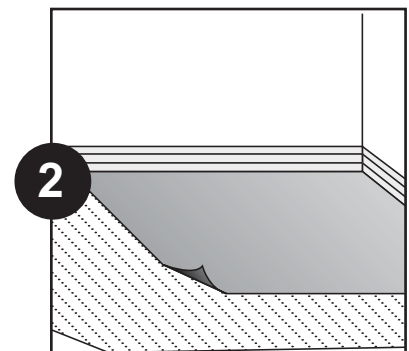
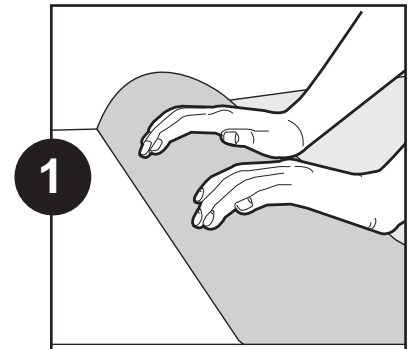
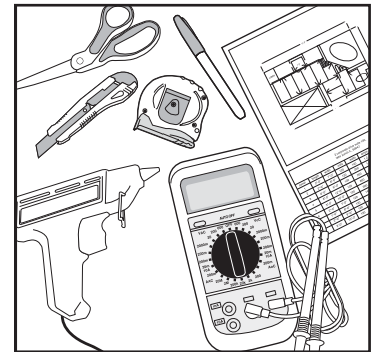
- WarmlyYours Environ II™ Heating Mats
- Thermostat with Sensor Probe Wire
- Custom Design Layout (provided free with quote)
- ¼" minimum thickness carpet cushion or underlayment (this accommodates channeling of the ¼" X ¼" cold lead)
- Digital Ohm Meter (required for completion of warranty registration card)
- Duct Tape or Box Tape
- Utility Knife (to cut channel for leads in carpet cushion or underlayment)
- Vapor/Moisture Barrier (for laminate & engineered wood installations, if applicable)

Compatible Carpet, Backing, Carpet Cushion, & Underlayment:

- Modern tufted & woven carpet with thickness of 1/4" minimum – 1" maximum
- Nylon, Acrylic, Polyester, & Wood Fiber Carpet (R value should not exceed 3)
- Polypropylene, hessian, & jute secondary carpet backings (rubber & foam backed carpets are NOT compatible)
- Carpet cushion minimum density – 6 pounds per cubic foot
- For Laminate or Engineered Wood: Cork or polystyrene underlayment (1/4" minimum thickness)
- Flooring must NOT have an attached underlayment

Preparation

1. Cross-check the items received against the packing list and the materials list on the installation plan to ensure that the roll length and thermostat type are an exact match.
2. Perform 1st ohm test - Measure the resistance of each mat with an Ohm meter (reading core wire to core wire) and record the readings on the UL label and on the installation plan. The Ohms readings should be within a +/- 15% variance of the Ohm value specified on the UL tag. Measure the continuity between core wire and ground wire – The reading should be O/L or infinity.
3. Detach the UL label from the WarmlyYours roll and affix it on the fuse/breaker box.
4. Prepare the subfloor to be clean and free of debris.
5. Make any adjustment in the layout PRIOR to installation.



Step 1 – Install Carpet Cushion / Underlayment

1. Follow all flooring manufacturer subfloor preparation recommendations (i.e. laminate & engineered flooring may require vapor/moisture barrier if installed over concrete).
2. Install ¼" (minimum thickness) carpet cushion or laminate & engineered wood floor underlayment.

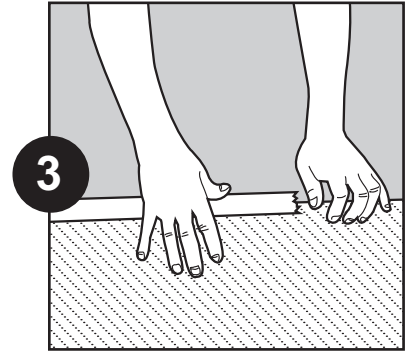
Step 2 – Dry Fit the WarmlyYours Mats

1. Unroll the mats completely flat and place them in the required position on top of the carpet cushion or underlayment. Use the included custom design (if applicable) to fit and confirm proper coverage starting with the leads positioned closest to the thermostat location. Keep heating mats 12" back from all walls when installing under carpet.
2. Confirm that all cold lead wires will reach the thermostat or junction box when positioned correctly. Mats should not be positioned below permanent fixtures and zero-clearance furniture.



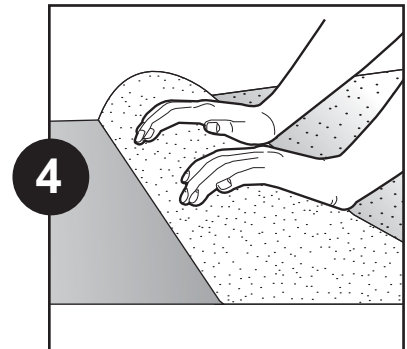
Step 3 – Install WarmlyYours Heating Mats

1. Secure the heating mats and cold leads to the sub-floor with tape along the edges so that they remain completely flat. Mats should never be folded. For multiple mat installations, mats should never overlap.
2. Cut a ½" channel in the carpet cushion or underlayment and place the cold lead into this channel. You may also need to remove some carpet cushion or underlayment below where the cold leads enter the heating mat to prevent a high spot.
3. Install the floor sensor 6" into the mat directly centered between the heating wires using tape. NEVER staple the mats, heating wires, or floor sensor wire or run the cold leads under the heating mat.
4. Perform 2nd ohm test.



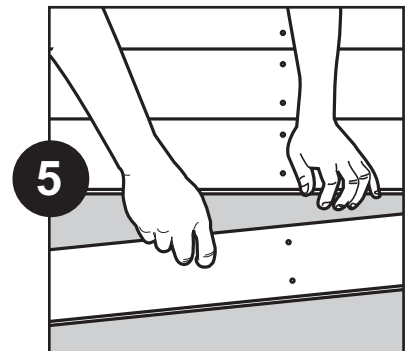
Step 4 – Carpet Installation

1. Install carpet as per manufacturer recommendations. Avoid using carpet stretchers and seaming irons directly over the heating mats as this could damage the mats. See installation manual for seaming instructions.
2. Perform and record 3rd ohm test on Warranty Registration Card.



Step 5 – Floating Laminate & Engineered Wood Flooring Installation

1. Install floating laminate or engineered wood flooring as per manufacturer recommendations. Avoid cutting flooring directly over the heating mats as this could damage the mats.
2. Perform and record 3rd ohm test on Warranty Registration Card.



Step 6 – Electrical Connections

1. The electrical wiring should follow the wiring instructions provided with the thermostat.
2. The thermostat is mounted in a double-gang wall box with a single mud ring.
3. The heating mats must be connected to the electrical service via a GFCI (Ground Fault Circuit Interrupter). The GFCI feature is incorporated in the thermostat.
3. All electrical connections should be performed by a licensed, certified electrician.

