



WarmlyYours 

Be Connected.
Be Warm. Be Radiant.

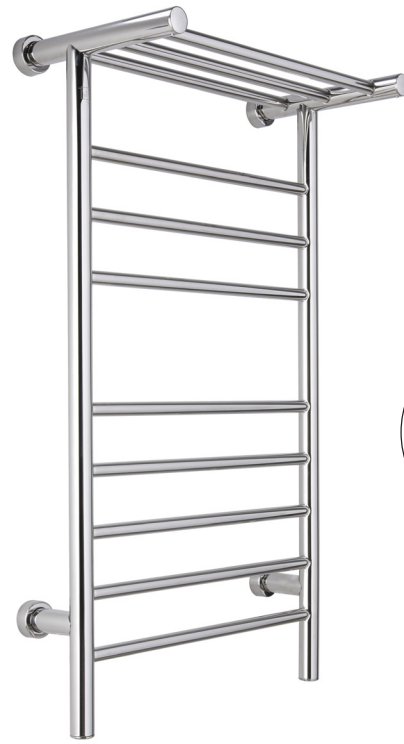
Summit Towel Warmer Series - Dual Connection 120 VAC

The Summit towel warmer is an exciting blend of attractive, modern design and practical functionality. With 8 main heated bars, the stainless steel Summit is able to accommodate 2 large towels or a bathrobe while the heated 3-bar shelf can keep additional towels toasty.

This towel warmer is also dual connection, meaning it can be used "as is" to plug into a standard 120 VAC outlet or it can be modified by a licensed electrician to have a hardwired 120 VAC electrical connection.

And when this towel warmer is installed with a hardwired electrical connection, its unique design means there is no unattractive and cumbersome cover plate required.

The Summit comes with an LED power switch and TempSmart™ overheat protection to prevent the unit's surface temperature from exceeding 167°F (75°C)



Also Available in:



Matte Black
Stainless Steel

Dimensions

19 5/8" W x 35 1/2" H x 10 3/4" D
(498 mm W x 902 mm H X 273 mm D)

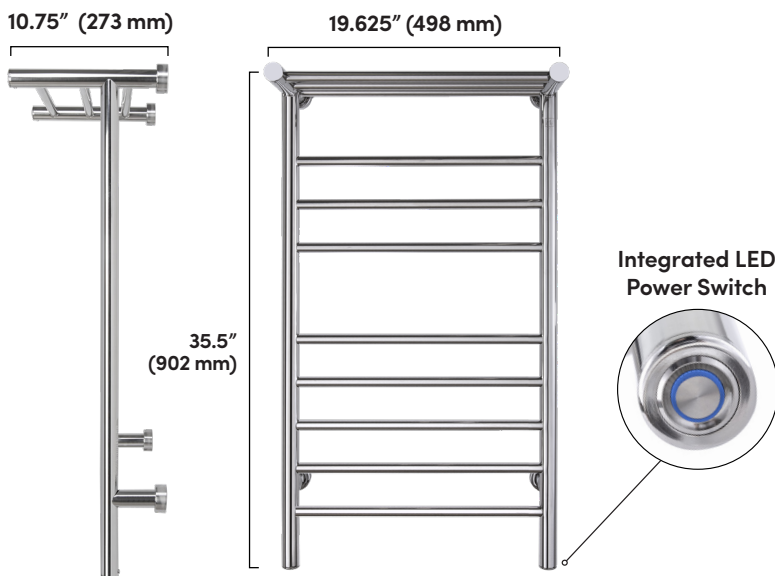


Product Information

Model	Finish	MSRP
TW-SUM08PS-HP	Polished Stainless Steel	\$949.00 CAD
TW-SUM08KS-HP	Matte Black Stainless Steel	\$1,299.00 CAD

Specifications

Voltage:	120 volts
Watts:	120 watts
Number of Bars:	8 main bars and a 3-bar heated shelf
Cord Length:	77"
Construction Material:	304-stainless steel



Features

- ✓ **Unique Design:** The Summit comes with 8 heated bars and a heated 3-bar shelf and is available with a polished or matte black finish .
- ✓ **Dual Connection:** The wall-mounted Summit uses 120 VAC input power can be used as is for a plug-in connection or the cord can be modified by a licensed electrician for a hard-wired connection
- ✓ **Overheat Protection:** This model comes with built-in TempSmart™ overheat protection to prevent the unit's surface temperature from exceeding 167°F (75°C)
- ✓ **No Cover Plate Required:** Because this unit doesn't require a gang-box or corresponding cover plate, it has a very streamlined and balanced appearance after installation