



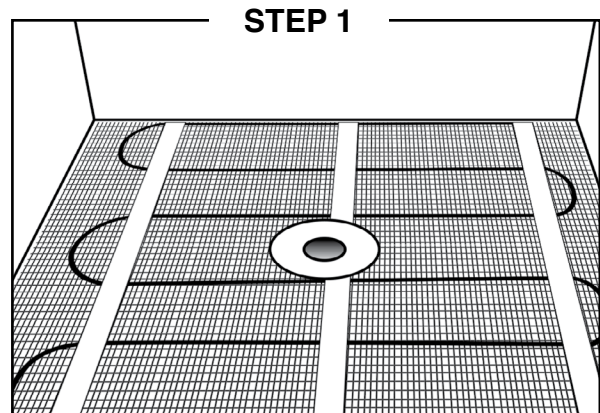
TempZone™ Shower Mat (Bench & Floor)

INSTALLATION INSTRUCTIONS

STEP 1

Once the mortar bed has set, dry fit the TempZone™ Shower Mat to verify its dimensions and ensure it fits the contours of the shower area. Verify that no portion of the finished drain will make contact with the heating wire.

Conduct insulation & resistance tests. Record readings on the warranty card found inside the TempZone™ Installation instructions.



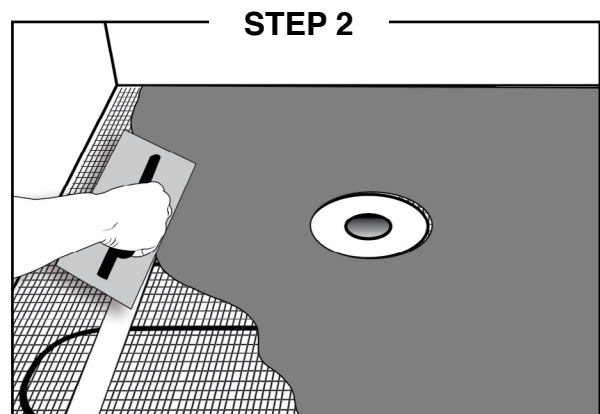
Step 2

Attach the mat to the subfloor using hot glue. Prepare the latex-modified thinset. Using a flat trowel, spread a coat of thinset over the installed mat. We recommend a 3/8" bed of thinset.

For best results, we recommend a 1" maximum distance between the heating cable and the top of the tile. (see Figure 6)

Please ensure the slope of the mortar bed is maintained to direct water toward the shower drain.

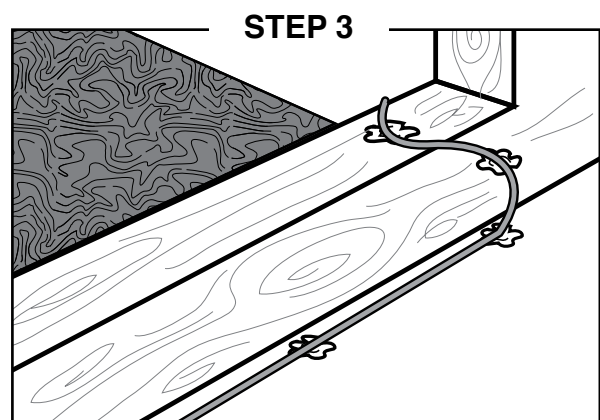
Allow the thinset mortar to set. Conduct resistance tests and record readings on warranty cards.



Step 3

Using a hot glue gun, secure the cold lead or heating wire to the mortar bed and over the shower curb. In order to minimize tension on the cold lead or heating wire, use an "S" formation to bring the cold lead or heating wire over the shower curb. Do not allow the tip of the hot glue gun to touch the cold lead or heating wire as it may damage the TempZone™ Shower Mat.

Direct the supply lead to the thermostat box or junction box. Some people choose to locate the factory splice outside of the shower itself. If this is done, the splice and the heating wire need to be embedded in 3/8" of latex modified thinset.





TempZone™ Shower Mat (Bench & Floor)

Step 4

Install a secondary waterproofing membrane in accordance with the membrane manufacturer's installation instructions.

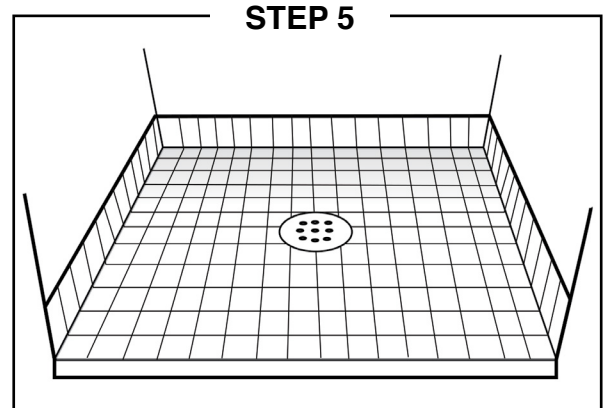
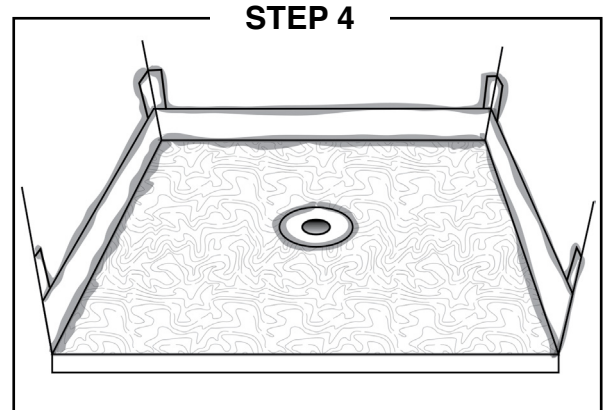
A secondary waterproofing membrane will protect the mortar bed from any moisture that may seep through the tile, which could cause mold problems over time.

Step 5

Install tile flooring according to the tile manufacturer's instructions. Conduct insulation & resistance tests and record the values on the warranty card.

Note:

Before activating the WarmlyYours TempZone™ Shower Mat, allow both the thinset mortar and grout to properly cure (according to manufacturer's requirements).



CROSS SECTION OF THE LAYERS

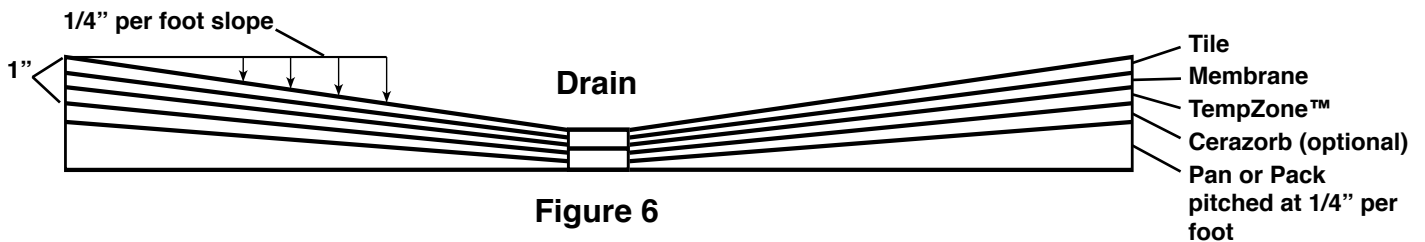


Figure 6