



WARMLYOURS
RADIANT HEATING



Installation & Operation Manual for
WarmlyYours Towel Warmers

Thank you for choosing your finely crafted WarmlyYours Towel Warmer. Now you can add luxury and comfort to your bathroom with the soothing embrace of a warm towel or bathrobe upon stepping from the shower. The radiant heat from the Towel Warmer warms your towel.

Included in this document are all necessary installation and operation instructions. For model number, reference the location of the product label as shown in **Diagram A** on page 11. If you encounter any difficulties while installing your system, installation support is available by phone between the hours of 8:00am - 5:30pm CST, Monday through Friday by calling (800) 875-5285.

SAFETY INFORMATION



- Towel Warmers are designed to warm towels and bathrobes only and should not be used for any other purpose.
- Never stand, sit on or hang on the Towel Warmer unit.
- Never allow children to play on or with the Towel Warmer.
- Make sure that the electrical circuit breaker is shut off at the main panel before wiring or servicing your Towel Warmer.
- The Towel Warmer must be properly grounded.
- All wiring must be in accordance with the National Electrical Code and should be performed by a licensed professional who is certified to do electrical wiring.
- Never place your Towel Warmer inside a shower, sauna or steam room.
- Never attempt to warm more than 6 towels on the Towel Warmer at a time. Overloading the Towel Warmer will cause the unit to become extremely hot and may result in a burn if touched.

CLEANING INFORMATION

- Clean the Towel Warmer with a soft, non-abrasive, damp cloth while warm. Once the Towel Warmer has cooled, lightly polish with a soft dry cloth. Do not use abrasive cleaning powders, metal polish or chlorine-based cleaners on any part of the Towel Warmer.

INSTALLATION

This appliance must be installed in accordance with the instructions in the manual and the NEC guidelines relating to electrical fixtures in bathrooms. The Towel Warmer must be on a GFCI protected circuit and be wired by a professional who is certified to do electrical wiring.

Affixing the Towel Warmer to the Wall

Step 1

Draw a diagram of the preferred location of the brackets and the electrical connection on the Towel Warmer box to create a template (see Step 2 for template instructions). At least two of the four brackets must be attached directly to a stud.

Step 2

Create the template:

- A. Attach brackets into desired positions on the Towel Warmer (see pages 3-5 for bracket assembly for each model).
- B. Place Towel Warmer on the box (or a large sheet of paper) and lay on a flat surface with brackets facing downwards.
- C. Mark the location of the following:
 - the electrical collar
 - the location of the brackets
- D. Use the template as a guide to mark the wall with the correct locations of the four brackets, ensuring the following:
 - the electrical collar is lined up with the center of the electrical box
 - at least two of the brackets are lined up with a wall stud
 - the Towel Warmer is level

Step 3

Install the brackets onto the wall. Use the drywall anchors that are supplied for the brackets that are not being installed into a stud. Refer to **Appendices A1-A3** for the Rough-in Diagram for each model.

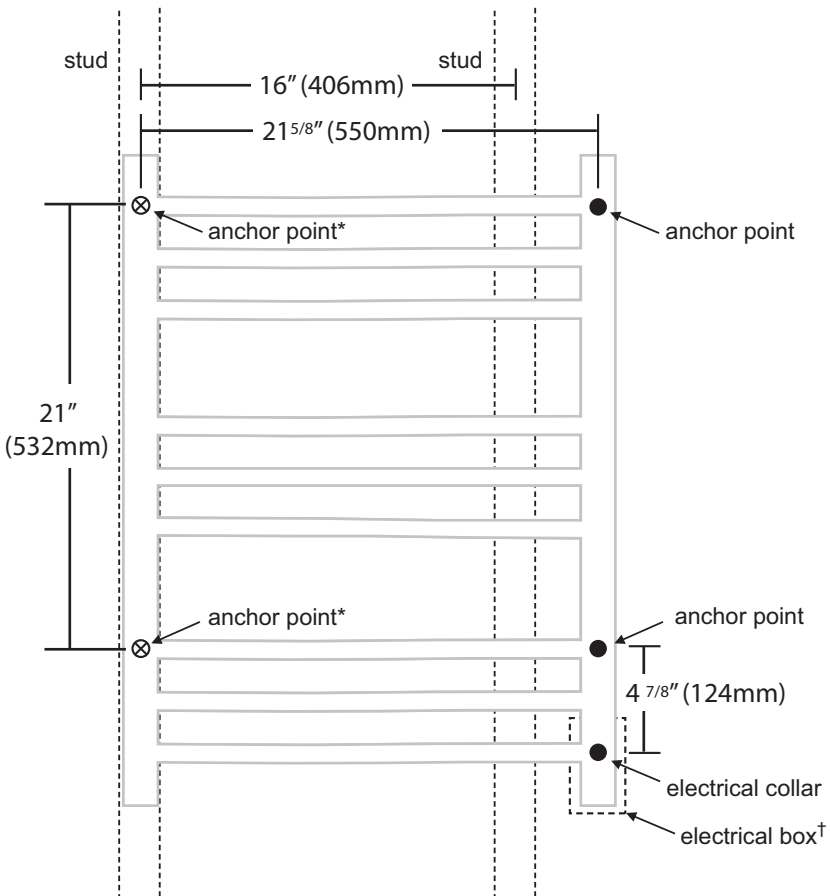
Affixing the Towel Warmer to the Wall - cont'd

Note: Dimensions shown are distances between the center of anchor points. This example shows 16" on center construction. Your situation may vary depending on your stud spacing.

WARNING: 

Locations of electrical box and anchor points may vary. Measure all dimensions prior to rough-in and installation.

Riviera



† **Note:** Electrical box must be securely attached to a stud.

* **Note:** Anchor points must be attached to a stud.

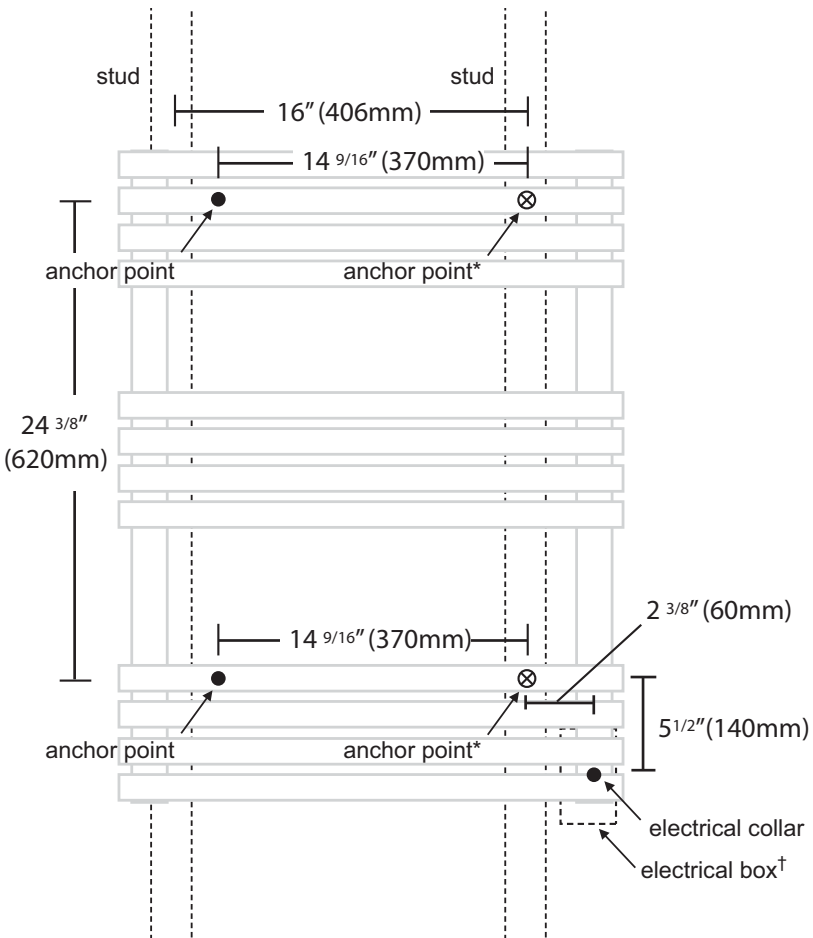
Affixing the Towel Warmer to the Wall - cont'd

Note: Dimensions shown are distances between the center of anchor points. This example shows 16" on center construction. Your situation may vary depending on your stud spacing.

WARNING: 

Locations of electrical box and anchor points may vary. Measure all dimensions prior to rough-in and installation.

Catalina



† **Note:** Electrical box must be securely attached to a stud.

* **Note:** Anchor points must be attached to a stud.

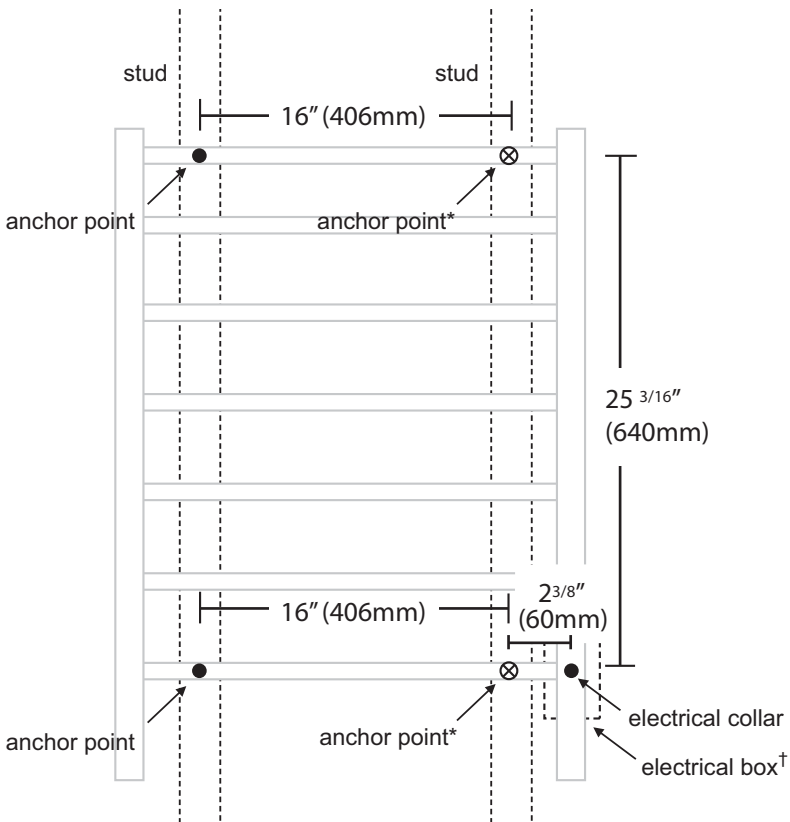
Affixing the Towel Warmer to the Wall - cont'd

Note: Dimensions shown are distances between the center of anchor points. This example shows 16" on center construction. Your situation may vary depending on your stud spacing.

WARNING: 

Locations of electrical box and anchor points may vary. Measure all dimensions prior to rough-in and installation.

Portofino



† **Note:** Electrical box must be securely attached to a stud.

* **Note:** Anchor points must be attached to a stud. Brackets on this model only are adjustable and may allow mounting to both sides of stud if construction is 16" on center.

Affixing the Towel Warmer to the Wall - cont'd

Step 4

Attach all four brackets to their desired positions on the Towel Warmer. See pgs. 7-10 for bracket assembly instructions specific to the model you selected.

Step 5

Lay the template on a flat surface and place the Towel Warmer on top with brackets facing downwards. Mark the exact location of the electrical collar connection and the brackets.

Step 6

Use the template as a guide to mark the wall with the correct locations of the four brackets. Ensure that the electrical collar is lined up with the center of the electrical box. Also, at least two of the brackets must be lined up with a wall stud. Ensure that all anchor points are clear of existing electrical or mechanical systems.

Step 7

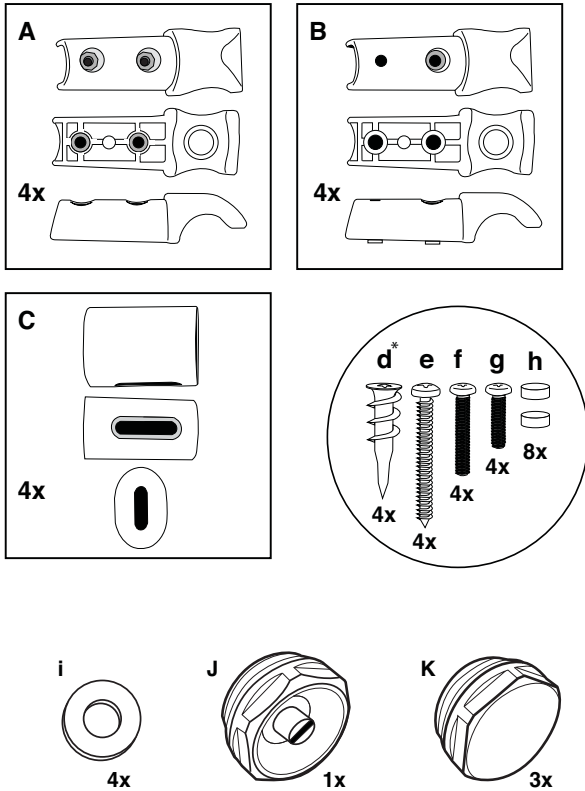
Check to make sure that the Towel Warmer is level.

Step 8

Install the brackets into the wall. Use the drywall anchors that are supplied for the brackets that are not being installed into a stud.

See pgs. 11-12 for Final Installation Instructions

Bracket Assembly Diagrams - Portofino



| Portofino | |
|--------------------|--|
| a. 0002-52110-0000 | Clamp, threaded, portofino, Chrome |
| b. 0002-52110-0001 | Clamp, Non-Threaded, Portofino, Chrome |
| c. 0002-52110-0002 | Bracket, Mounting, Potofino, Chrome |
| d. 0002-51500-0000 | Anchor, Drywall, #6 |
| e. 0002-50200-0000 | Screw, 50mm, 6,coarse thread |
| f. 0002-52200-0000 | Screw, machine, 30mm, 5 |
| g. 0002-52200-0001 | Screw, machine, 20mm, 5 |
| h. 0002-52100-0000 | Pad round, 10mm x 4mm |
| i. 0002-50710-0001 | Cap, non-vented |
| j. 0002-50710-0000 | Cap, vented |
| k. 0002-00400-0000 | Washer, 18 x 7 x 1 |
| l. AK02-52000-0000 | Parts kit Assy., Portofino |

Bracket Assembly Instructions - Portofino

Step 1

Measure for position of brackets using the template if desired. At least two brackets must attach to a stud.

Step 2

Affix part **C** to the wall using screw **e** and drywall anchor **d*** where necessary.** Slot in **C** should face downwards.

Repeat Step 2 for the three remaining brackets.

Step 3

Insert rubber pads **h** (2x) into **A** and **B**. Clamp **A** and **B** around the Towel Warmer horizontal bar with **A** on the top. Insert screw **g** and tighten.

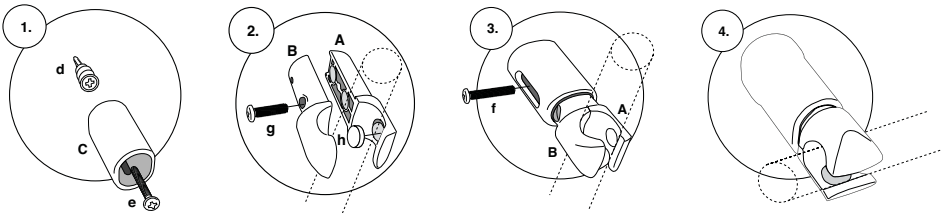
Repeat Step 3 for the three remaining brackets.

Step 4

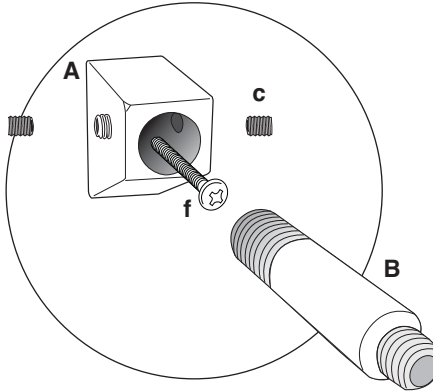
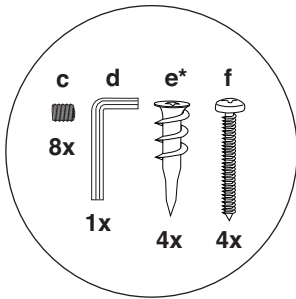
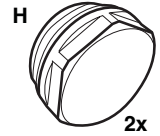
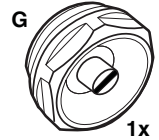
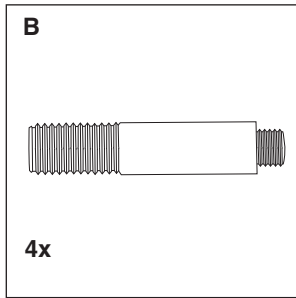
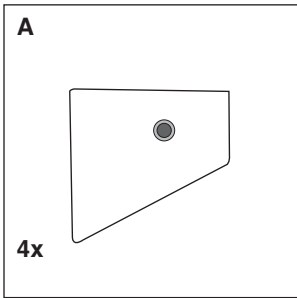
Hang Towel Warmer on the brackets and fix in place by inserting screw **f**.

* Drywall anchor need not be used when screwing into a stud.

** Actual drywall anchor may differ in appearance.



Bracket Assembly Diagrams - Riviera & Catalina



| Riviera | |
|------------------------|---|
| a. 0002-51110-0000 | Bracket, mounting, stainless steel, Riviera |
| b. 0002-51310-0000 | Stud, threaded, mounting, stainless steel |
| c. 0002-50210-0000 | Screw, set, 3mm |
| d. 0002-50900-0000 | Wrench, hex key, 3mm |
| e. 0002-50500-0000 | Anchor, drywall, gray, #8 |
| f. 0002-50200-0000 | Screw, 50mm x 8 |
| g. 0002-50710-0000 | Cap, vented (not shown) |
| h. 0002-50710-0001 | Cap, non-vented (not shown) |
| AK02-53000-0000 | Parts Kit Assy, Riviera |

| Catalina | |
|------------------------|---------------------------------|
| a. 0002-51130-0000 | Bracket, mounting, white |
| b. 0002-51330-0000 | Stud, threaded, mounting, white |
| c. 0002-50210-0000 | Screw, set, 3mm |
| d. 0002-50900-0000 | Wrench, hex key, 3mm |
| e. 0002-50500-0000 | Anchor, drywall, gray, #8 |
| f. 0002-50200-0000 | Screw, 50mm x 8 |
| g. 0002-50710-0000 | Cap, vented (not shown) |
| h. 0002-50710-0001 | Cap, non-vented (not shown) |
| AK01-51000-0000 | Parts Kit Assy, Catalina |

Bracket Assembly Instructions - Riviera & Catalina

Step 1

Measure for position of brackets using the template if desired. At least two brackets must attach to a stud.

Step 2

Affix part **A** to the wall using screw **f** and drywall anchor **e*** where necessary.**

Repeat Step 2 for the three remaining brackets.

Step 3

Screw part **B** into the positions on the Towel Warmer.

Repeat Step 3 for the three remaining brackets.

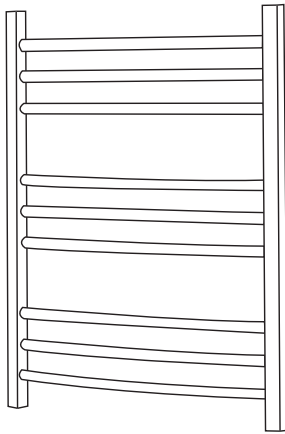
Step 4

Hang Towel Warmer on the brackets by inserting part **B** into part **A**, loosening the hex-head screws **c** with the hex-key **d** where necessary.

* Drywall Anchor need not be used when screwing into stud.

** Actual drywall anchor may differ in appearance.

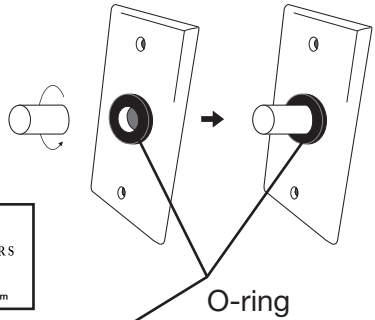
Diagram A.



Label

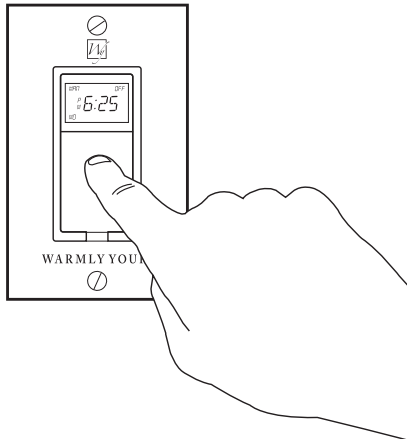


Diagram B.



O-ring

Diagram C.



Step 9

With the brackets now in place, slide electrical wires through rubber O-ring on electrical plate. Refer to **Diagram A**. **Do not remove rubber o-ring from electrical plate under any circumstances.**

Step 10

Adjust the Towel Warmer to desired position from wall and screw the screws into place, but do not tighten at this time.

Final Installation Instructions (for all models) - cont'd

Step 11

Have a certified professional wire the Towel Warmer to the electrical line according to code, referring to the detailed wiring diagram provided in **Appendix B**.

Step 12

Push the wires into the electrical box and screw the cover plate to the outside of the box.

Step 13

Screw the adjustable collar out and tighten it against the faceplate on the electrical box, ensuring the rubber seal is in position and sealed correctly inside the collar. Refer to **Diagram B**.

Step 14

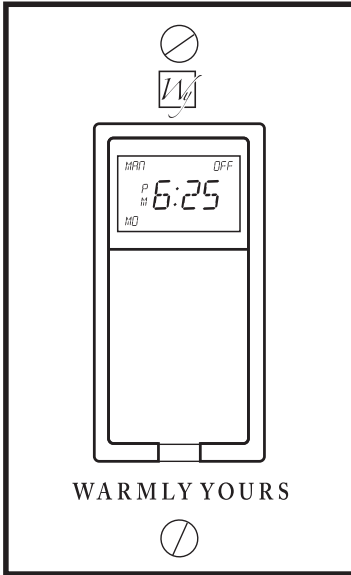
Fully tighten the screws for the brackets.

Step 15

Switch on the power by touching the “on” button to confirm that the control is operable. In approximately 10-15 minutes, your Towel Warmer will be warm to the touch. Refer to **Diagram C**.

OPERATION

WarmlyYours Towel Warmers include our programmable timer for luxurious and economical use of the Towel Warmer.



On

Towel Warmer runs at 100% power and will reach temperatures between 100° F and 140° F depending on the following: running time, number of towels, type of towels and ambient room temperature.

Automatic Mode

Programmable Timer allows up to 14 events or 2 ON-OFF cycles per day. Easy programming allows you to set intervals of operation for each day of the week.

Manual Mode

Timer can be set to operate in manual mode to function as a simple ON-OFF switch.

Your WarmlyYours Towel Warmer is designed to gradually warm towels over the course of a day and works best when towels are left to hang for at least 3 hours.

SPECIFICATIONS

| Model | Name | Dimensions | Voltage (volts) | Heat Output (watts) | Resistance (ohms) | Amperage (amps) |
|----------|-----------|--|--------------------|---------------------------|----------------------|--------------------|
| TW-PCP | Riviera | 24" w (600mm) x 32" h (790mm) x 5" d (120mm) | 120 | 140 | 90 | 1.17 |
| TW-OCP | Portofino | 24" w (600mm) x 32" h (800mm) x 9" d (225mm) | 120 | 140 | 90 | 1.17 |
| TW-SWP | Catalina | 22" w (540mm) x 34" h (860mm) x 4" d (80mm) | 120 | 263 | 45.9 | 2.19 |
| TW-TIMER | Timer | 2" w (51mm) x 4" h (102mm) | 120 | N/A | N/A | N/A |

Product Construction - Towel Warmer

The Towel Warmer is constructed from High Carbon Steel, using tubing with a wall thickness of between 0.8 mm and 1.2 mm. The steel tubing is brazed together with full, continuous joints. The finished assembly is either electroplated or powder coated, depending on the model and style. The Towel Warmer is heated by a UL listed wire. The mounting brackets are manufactured from steel and coated to match the finish of the specific model.

Product Construction - Control

The Timer is humidity sealed to IEC standards for zone 1 (areas where it may be splashed by water) and zone 2 (areas which are occasionally subject to high humidity) and therefore suitable for installation in damp locations such as bathrooms.

Connection Method

The heating wire is connected to a UL 14AWG, non-heated lead by a UL listed mechanical crimp connection, sealed with a heat shrink tube. Electricity is fed into the Towel Warmer via a threaded adjustable nipple. The nipple is adjusted so that it fits securely to the front of 2"x4" electrical junction box. This box is secured in the wall and a water resistant seal is made with the use of a rubber O-ring. Power can then be fed to the control unit which may be located anywhere in the room.

Safety Ratings

The main electrical line feeding the Towel Warmer must incorporate an Appliance Leakage Current Interrupter (ALCI) for North America.

WarmlyYours Towel Warmer Warranty

WarmlyYours.com Inc. warrants the WarmlyYours Towel Warmers (“the Product”) to be free from defects in materials and workmanship for five years from the date of sale, provided that the Product is installed in accordance with the accompanying Installation and Operation Manual, and any special written design or installation guidelines provided by WarmlyYours.com Inc. for this product, the National Electric Code (NEC), and all applicable local building and electrical codes. Controls sold under the WarmlyYours.com Inc. name are warranted for one year from the date of sale.

Any suspected defect must be reported by registered letter immediately upon discovery. The determination of such a defect must be made by WarmlyYours.com Inc., or its authorized representative only. This warranty is null and void if the product is improperly installed, improperly operated, or abused.

WarmlyYours.com Inc. assumes no responsibility under this warranty for any damage to the product caused by any trades person, or visitor on the job site, or damage caused as a result of post installation work.

Under this Limited Warranty, WarmlyYours.com Inc. will provide the following remedy:

If the Product is determined to be defective in materials and workmanship, and has not been damaged as a result of misuse or misapplication, WarmlyYours.com Inc. will refund the original purchase price or replace the Towel Warmer, at WarmlyYours.com Inc. expense. WarmlyYours.com Inc. will not be liable for the labor required to replace the Towel Warmer.

The Limited Warranty is null and void if the project owner or his representative attempts to repair the Product without receiving authorization. Upon notification of a real or possible problem, WarmlyYours.com Inc., will issue an Authorization to Proceed under the terms of the Limited Warranty.

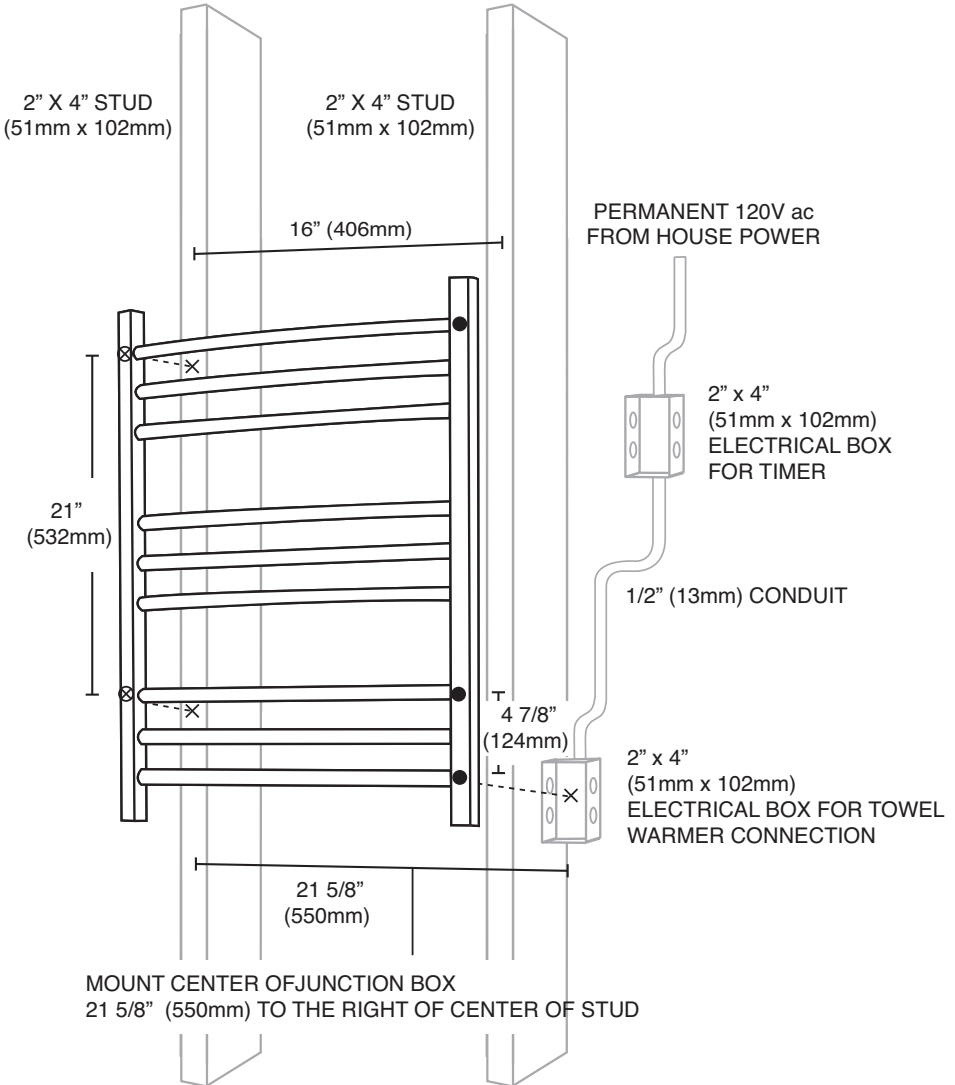
WARMLYYOURS.COM INC. DISCLAIMS ANY WARRANTY NOT PROVIDED HEREIN, INCLUDING ANY IMPLIED WARRANTY OF MERCHANTABILITY OR IMPLIED WARRANTY OF FITNESS FOR A PARTICULAR PURPOSE. WARMLYYOURS.COM INC. FURTHER DISCLAIMS ANY RESPONSIBILITY FOR SPECIAL, INDIRECT, SECONDARY, INCIDENTAL, OR CONSEQUENTIAL DAMAGES ARISING FROM OWNERSHIP OR USE OF THIS PRODUCT, INCLUDING INCONVENIENCE OR LOSS OF USE. THERE ARE NO WARRANTIES WHICH EXTEND BEYOND THE FACE OF THIS DOCUMENT. NO AGENT OR REPRESENTATIVE OF WARMLYYOURS.COM INC. HAS ANY AUTHORITY TO EXTEND OR MODIFY THIS WARRANTY UNLESS SUCH EXTENSION OR MODIFICATION IS MADE IN WRITING BY A CORPORATE OFFICER.

Please fill in warranty card info at www.WarmlyYours.com/warranty/tw or call (800) 875-5285 to register via phone.

Appendix A1: Rough-In Diagram - Riviera

Note: Dimensions shown are distances between the center of anchor points. This example shows 16" on center construction. Your situation may vary depending on your stud spacing.

WARNING: Locations of electrical box and anchor points may vary. Measure all dimensions prior to rough-in and installation.



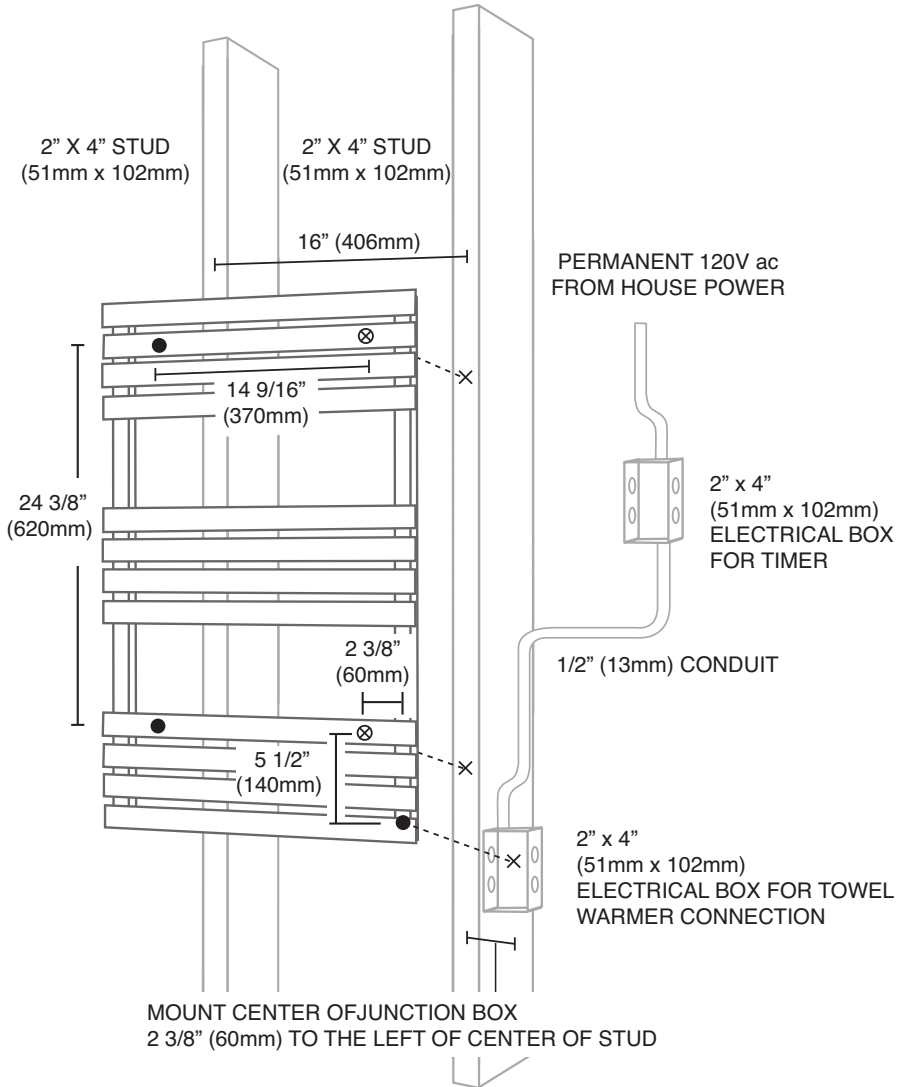
Note: Electrical box must be securely attached to a stud.

Note: Anchor points must be attached to a stud.

Appendix A2: Rough-In Diagram - Catalina

Note: Dimensions shown are distances between the center of anchor points. This example shows 16" on center construction. Your situation may vary depending on your stud spacing.

WARNING: Locations of electrical box and anchor points may vary. Measure all dimensions prior to rough-in and installation.



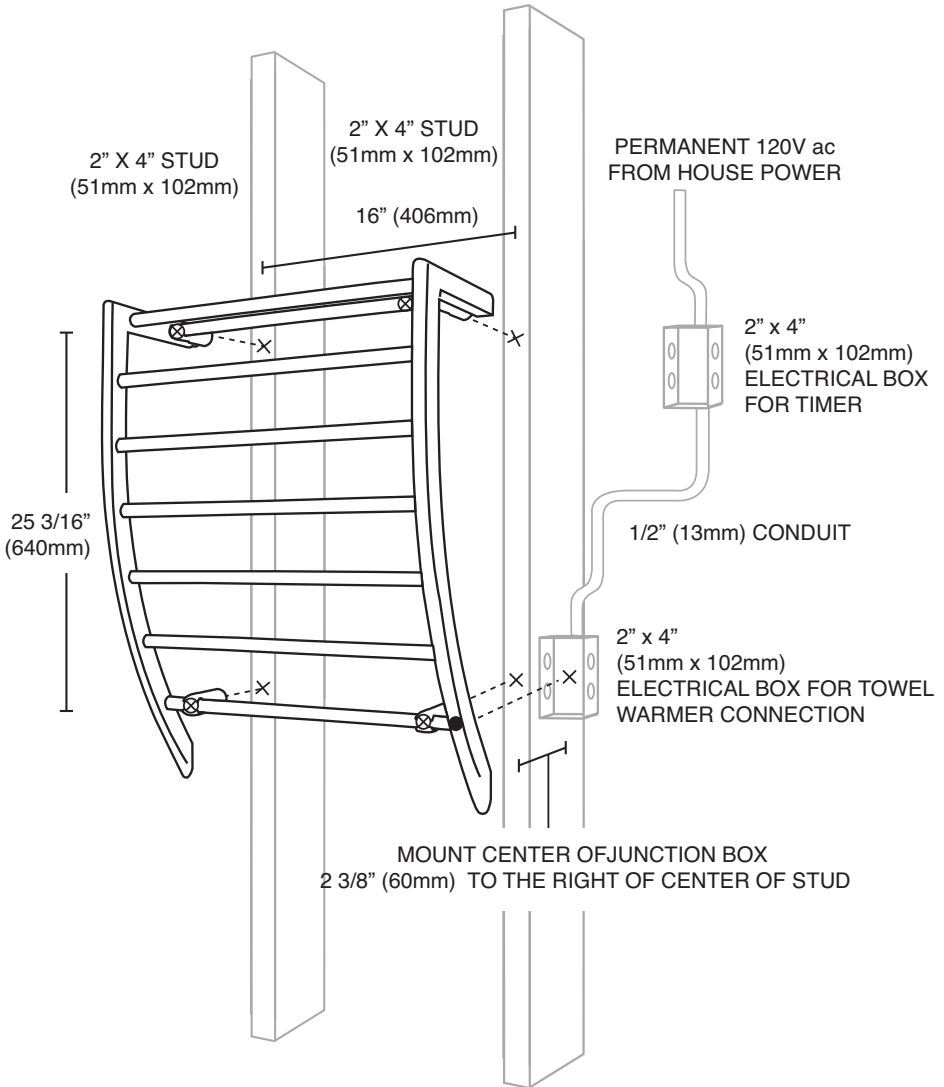
Note: Electrical box must be securely attached to a stud.

Note: Anchor points must be attached to a stud.

Appendix A3: Rough-In Diagram - Portofino

Note: Dimensions shown are distances between the center of anchor points. This example shows 16" on center construction. Your situation may vary depending on your stud spacing.

WARNING: Locations of electrical box and anchor points may vary. Measure all dimensions prior to rough-in and installation.



Note: Electrical box must be securely attached to a stud.

Note: Anchor points must be attached to a stud.

Appendix B: Wiring Diagram (All models)

