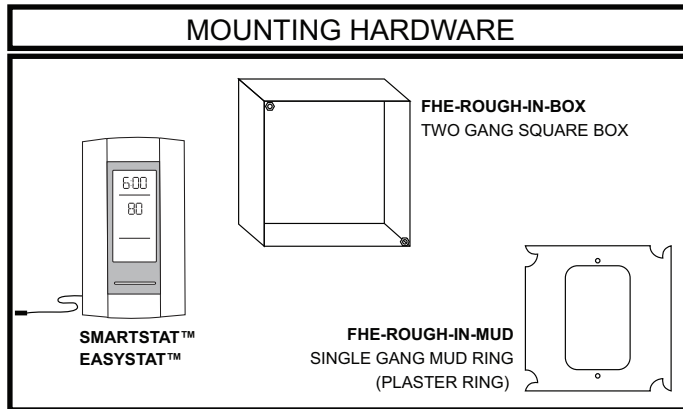


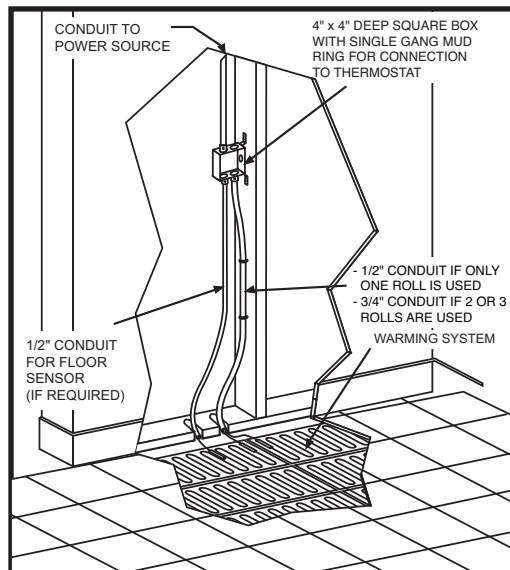
WIRING DIAGRAM

For 120V & 240V Twin Conductor TempZone with SmartStat™ / EasyStat™

FOR ELECTRICIAN

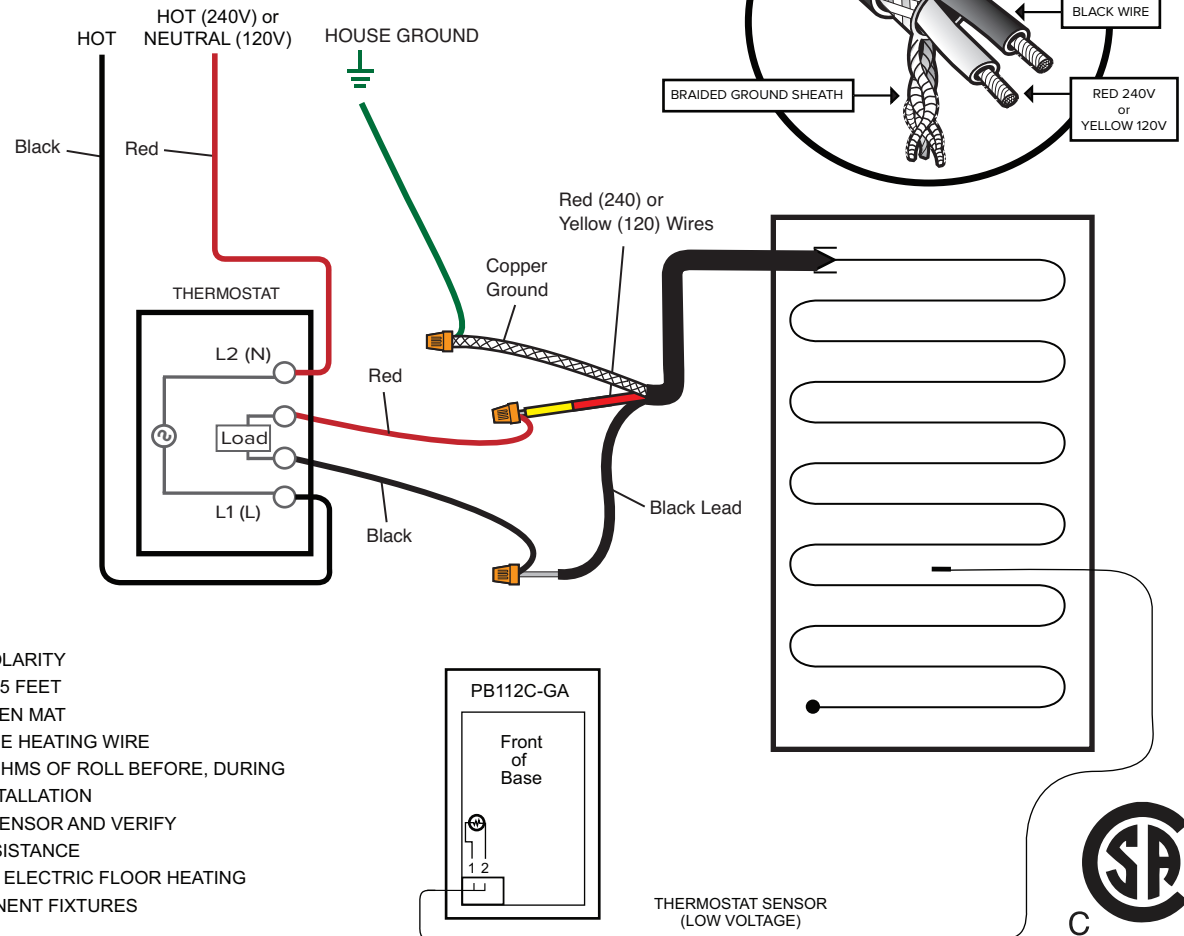


ELECTRICAL ROUGH-IN



1. MAT HAS **NO** POLARITY
2. COLD LEAD IS 15 FEET
3. **DO NOT** SHORTEN MAT
4. DO NOT CUT THE HEATING WIRE
5. ALWAYS TEST OHMS OF ROLL BEFORE, DURING AND AFTER INSTALLATION
6. ALWAYS TEST SENSOR AND VERIFY 8-15 K OHM RESISTANCE
7. NEVER INSTALL ELECTRIC FLOOR HEATING UNDER PERMANENT FIXTURES

FROM POWER SOURCE 120V & 240V



ENSURE THE SYSTEM IS GROUNDED

