

**TF4X40 THERMOSTAT**

**INSTALLATION**

**DESCRIPTION**



These thermostats are used for controlling heat tracing systems in ordinary locations. The capillary bulb should be mounted on the side of the pipe.

**ENCLOSURE**

Molded Fiberglass Polyester

**CLASSIFICATIONS**

NEMA Type 4X IP66

**TEMPERATURE RANGE**

**Fixed Range**  
4.4°C (40°F)

**CAPILLARY**

<b>Length</b>	<b>Material</b>	<b>Max. Bulb Temp.</b>
0.9m (3ft.)	Copper	71°C (160°F)

**ELECTRICAL DATA**

<b>CSA Rating</b>	<b>UL Rating</b>
22 amp Resistance 480VAC	22 amp Resistance 480VAC

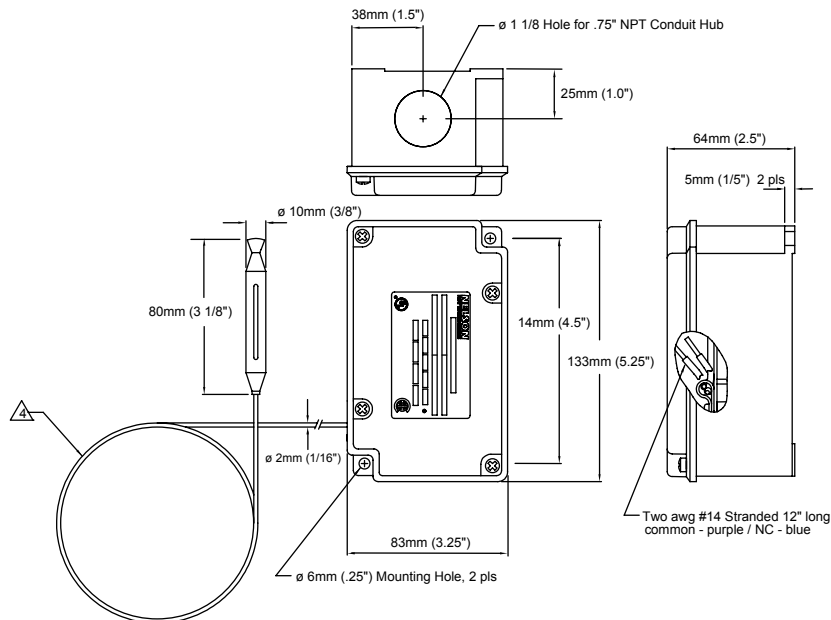
**CALIBRATION ACCURACY**

2.2°C (4°F)

**SWITCH TYPE**

Single Pole Single Throw

**OUTLINE**



**Annual Maintenance:**

1. Remove cover.
2. Spray a coat of lubricant and rust preventative such as CRC Stor & Lube, electrical grade, on the thermostat body.
3. Replace cover.

**Approvals:**

**General Locations**

UL - E50023    CSA - LR52088-4    CE

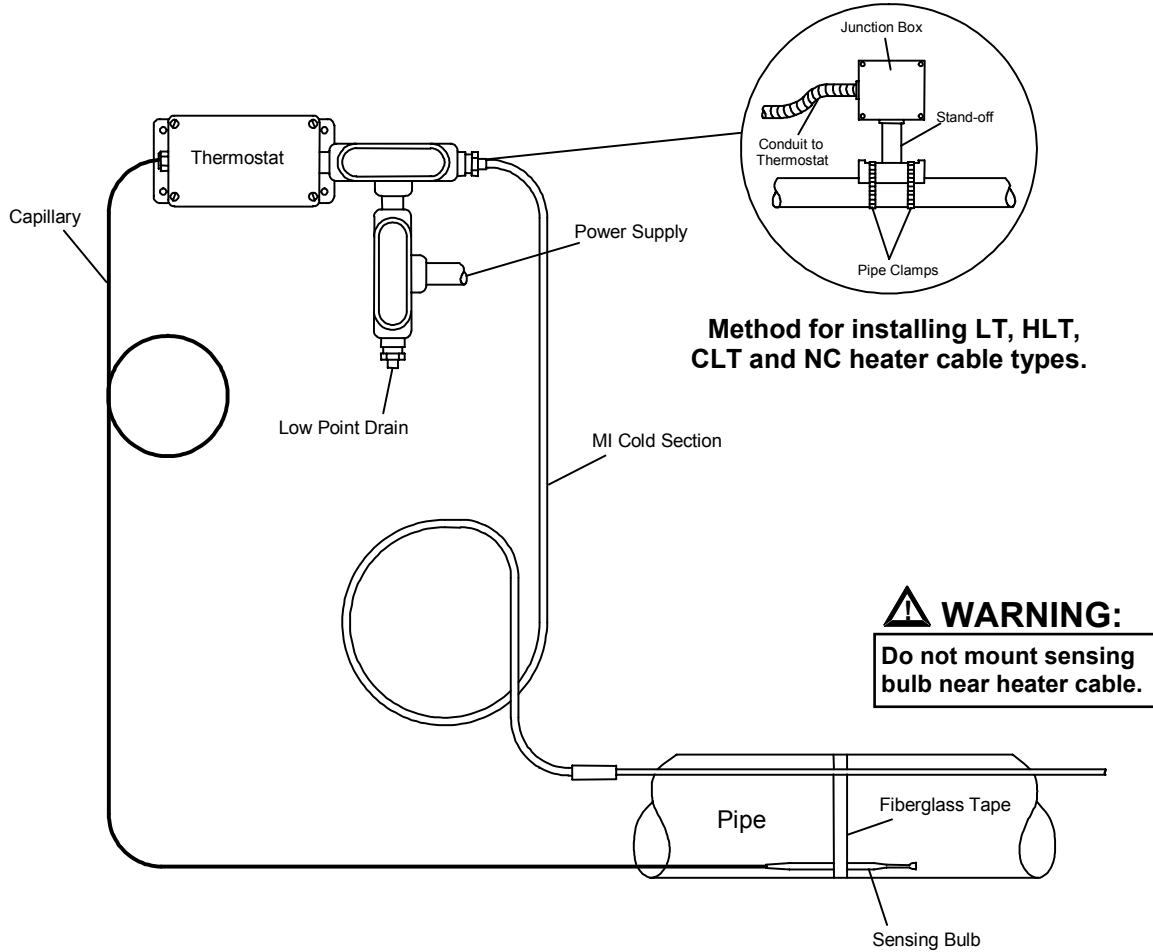
# NELSON™ HEAT TRACING SYSTEMS

SPECIFICATION / APPLICATION

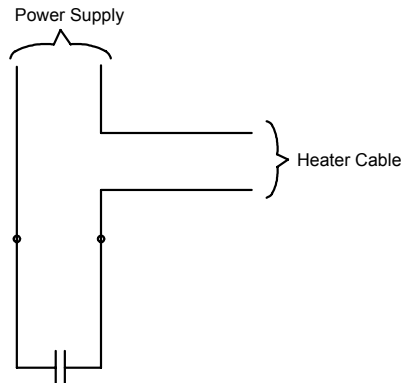
## TF4X40 THERMOSTAT

INSTALLATION

### INSTALLATION



### WIRING DIAGRAM



Nelson Heat Tracing Systems products are supplied with a limited warranty. Complete Terms and Conditions may be found on Nelson's website at [www.nelsonheaters.com](http://www.nelsonheaters.com).