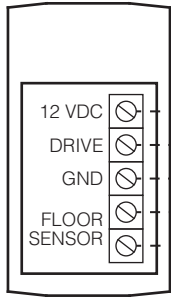
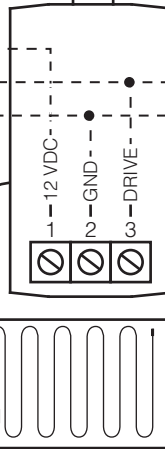


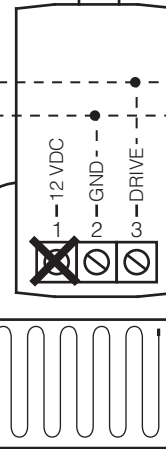
MASTER THERMOSTAT  
TH115-12VDC REAR VIEW



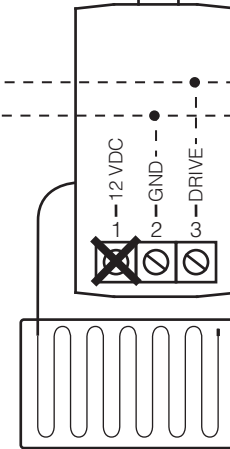
POWER MODULE 1  
PB112 FRONT VIEW  
(NO FACEPLATE)



POWER MODULE 2  
PB112 FRONT VIEW  
(NO FACEPLATE)



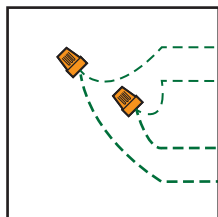
POWER MODULE 3  
PB112 FRONT VIEW  
(NO FACEPLATE)



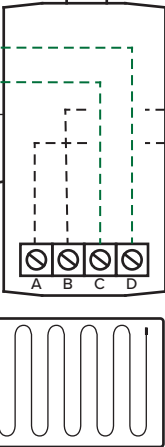
UP TO 10  
POWER  
MODULES

1. FLOOR SENSOR WIRING CAN BE EXTENDED UP TO 300' (100 M.)
2. MAXIMUM DISTANCE BETWEEN THERMOSTAT AND POWER MODULES IS 80' (25 M.)
3. ALWAYS ASSURE PROPER GROUND WIRING FROM THE FLOOR HEATING SYSTEM TO THE MAIN ELECTRICAL PANEL.
4. AVOID RUNNING LOW VOLTAGE AND HIGH VOLTAGE WIRING TOGETHER.

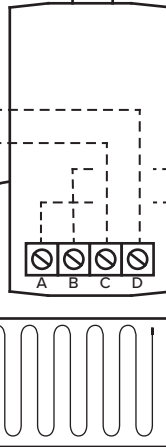
COVERED EMPTY BOX



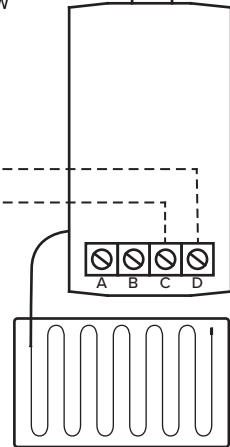
nSpiration THERMOSTAT  
(NO FACEPLATE)



POWER MODULE 1  
USG-4000 FRONT VIEW  
(NO FACEPLATE)



POWER MODULE 2  
USG-4000 FRONT VIEW  
(NO FACEPLATE)



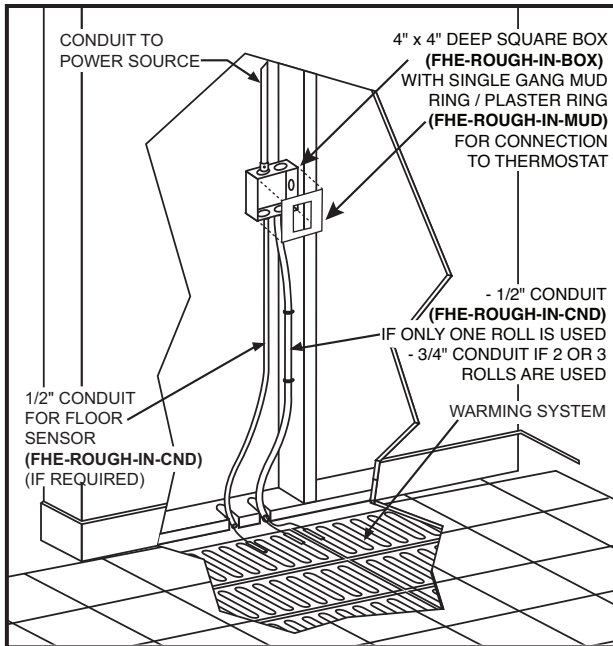
CONNECT THE EXISTING SENSOR WIRE IN THE BOX TO A PAIR OF THE EXISTING LOW VOLTAGE COMMUNICATION WIRES USING APPROVED MEANS TO FEED SENSOR DATA TO THE NEW THERMOSTAT LOCATION.

<b>DASHED LINE</b>	LOW VOLTAGE WIRING
<b>SOLID LINE</b>	HIGH VOLTAGE (120/240V) WIRING

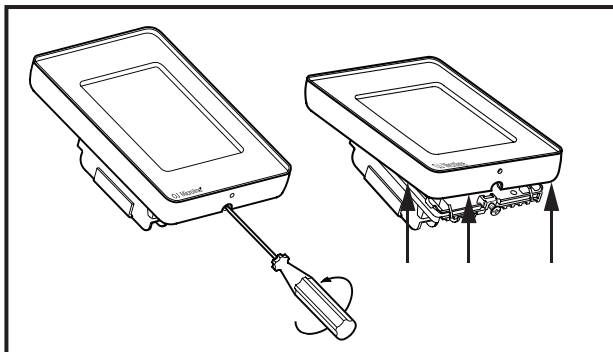
# GENERIC WIRING DIAGRAM

For 120V & 240V heating product with nSpire Touch Wi-Fi (UWG4), nSpire Touch (UDG4), nHance (UDG), nTrust (UTN4), nJoin (USG)

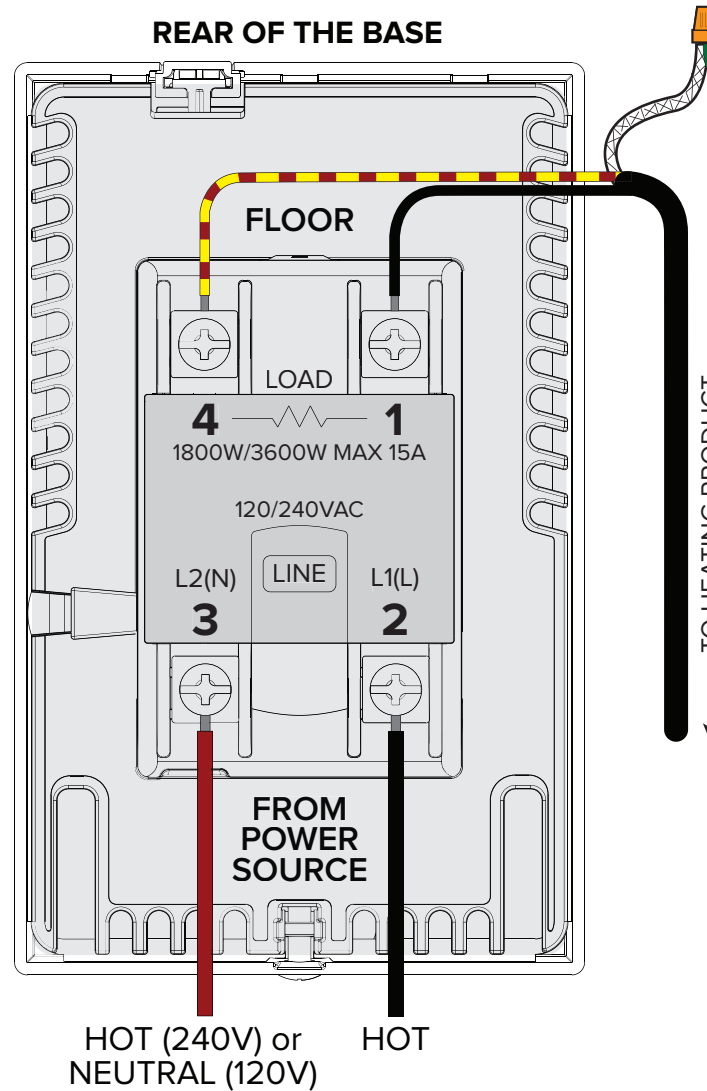
## ELECTRICAL ROUGH-IN



## FACEPLATE REMOVAL

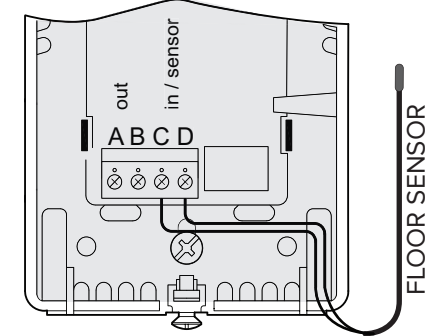


## REAR OF THE BASE



1. MAT HAS NO POLARITY
2. DO NOT CUT THE HEATING WIRE
3. ALWAYS TEST OHMS OF ROLL BEFORE, DURING AND AFTER INSTALLATION
4. ALWAYS TEST SENSOR AND VERIFY 8-15 K OHM RESISTANCE
5. NEVER INSTALL ELECTRIC FLOOR HEATING UNDER PERMANENT FIXTURES
6. THE INSTALLATION MUST COMPLY WITH ALL NATIONAL AND LOCAL ELECTRICAL AND BUILDING CODES, INCLUDING AUTHORITY HAVING JURISDICTION.

## FRONT OF THE BASE



ENSURE THE SYSTEM IS GROUNDED

