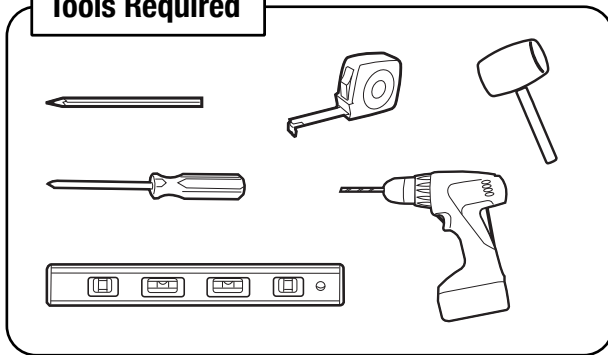
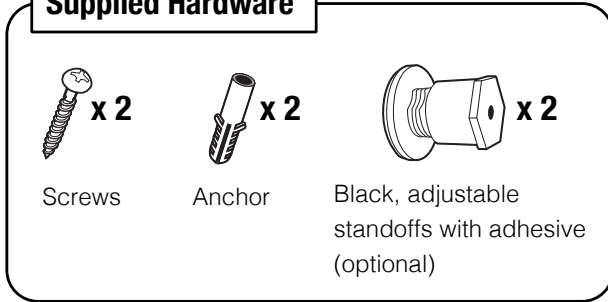


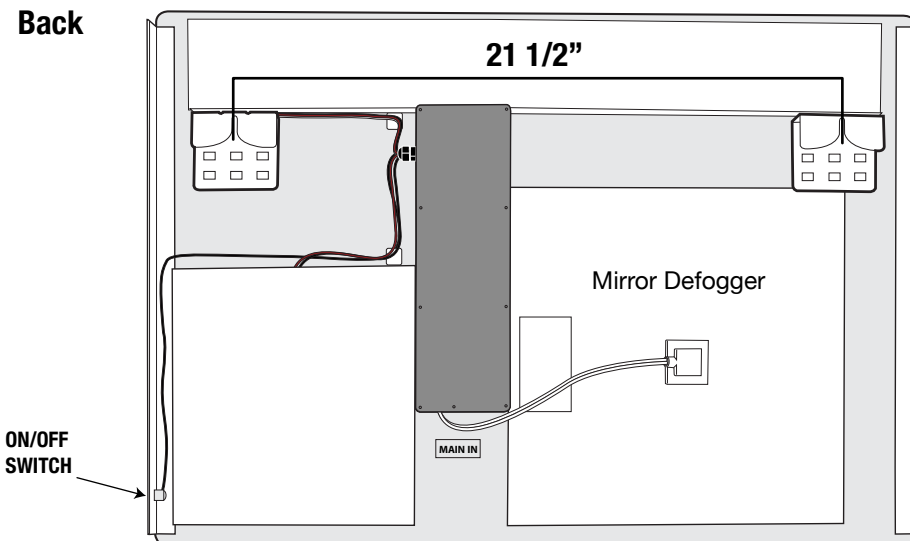
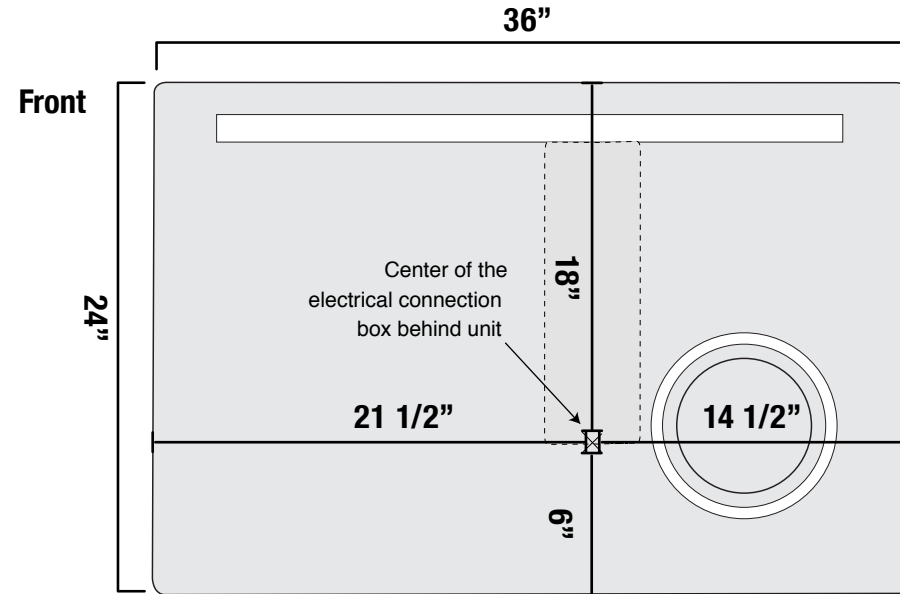
**Tools Required**



**Supplied Hardware**



Product improvements are continual.  
Measurements may vary.  
Please verify all dimensions prior to installation.



**Mounting Instructions**

**Step 1**

2x4 Stud (if possible)

9 1/2" (vertical mount)  
21 1/2" (horizontal mount)

**Step 2**

2x4 Stud (if possible)

**Step 3**

2x4 Stud (if possible)

If stud is not present, use drywall anchor.

**Step 4**

Mounting Screws

Electrical Gang Box

Electrical Connection Box

The electrical gang box should be installed according to the location of the unit's electrical connection box located on the back.

**Step 5**

Remove Cover

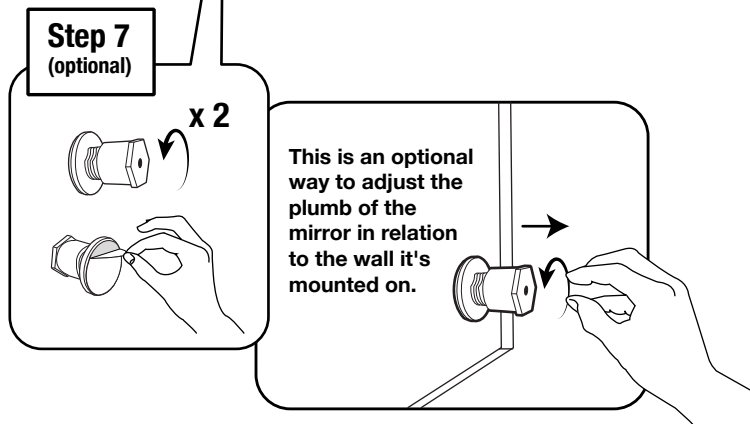
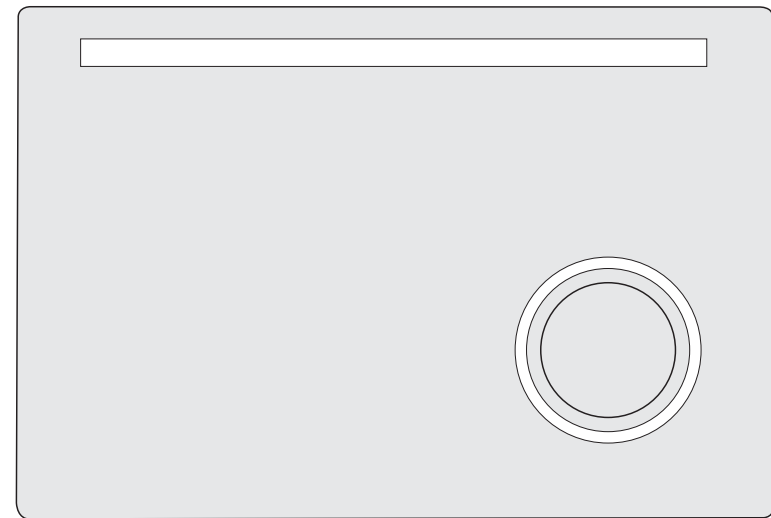
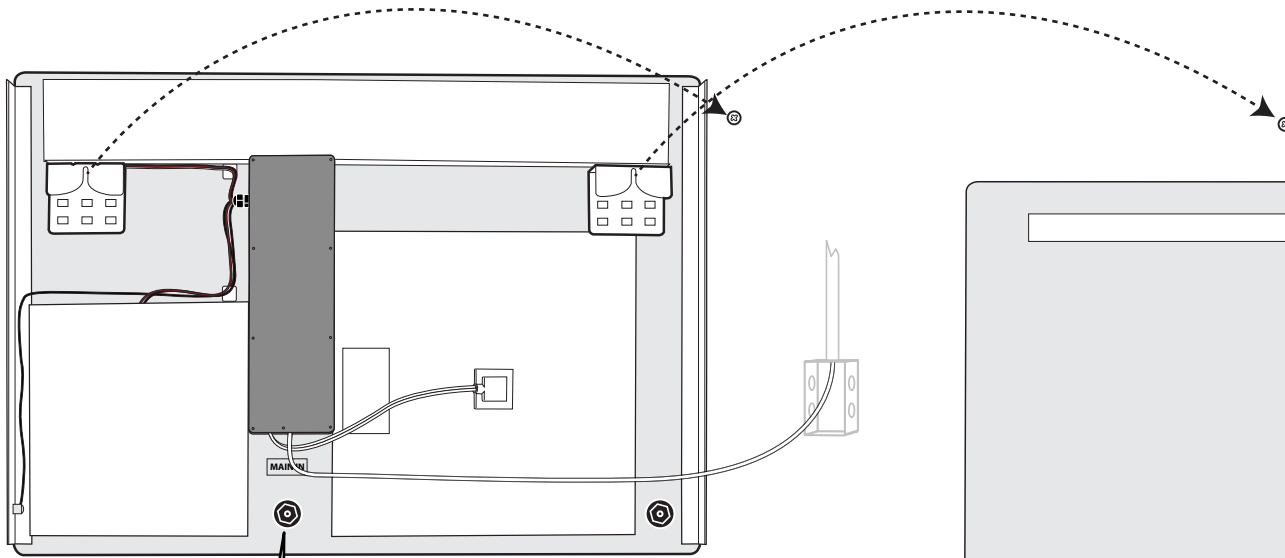
**Step 6**

Connect Wire

Clamp Wire

Electrical Box with installer-supplied, approved wire (at least 2 feet long\*).  
\*Recommended

**Horizontal Mounting Instructions**



**Using the Side-Mounted Touch Control**

Controlling the LED lighting for the Judy is accomplished by touching the side-mounted on/off button.

To turn the Judy's LED lighting on or off, simply give the on/off button a quick touch.

When the Judy's lighting first comes on, the color temperature of the lighting will be a cool white (6,500K).

To cycle the color temperature to a warmer 3,000K, simply hold the touch on/off button for a few seconds until the light completes its color transition.

