

SCM-120

SNOW MELT TIMER CONTROL FOR ROOF & GUTTER

FEATURES & BENEFITS

- NEMA 1 enclosure with hinged cover
- Timer adjustable up to 12 hours
- Simple and affordable
- Reliable, manual control
- 120 VAC (operation voltage)
- For use with relay panels (for load switching)
- Terminal block for easy wiring
- UL Listed
- 2 pole relay included
- May be used for snow melting, slab heating, or roof deicing
- Front door easy lock clasp operates using a coin or large screwdriver.

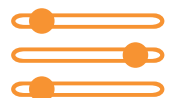


Minimize
Operating Costs



Timer adjustable up to
12 hours

Easy to Operate



SCM-120

SNOW MELT TIMER CONTROL FOR ROOF & GUTTER

About the Snow Melt Timer Control for Roof and Gutter

The WarmlyYours SCM-120 Snow Melt Timer Control is a simple, affordable option for snow melting, slab heating, and roof and gutter deicing systems. The SCM-120 Snow Melt Timer Control only operates when activated by a user. At 120Vac operational voltage, this unit features a 12-hour, adjustable timer and a NEMA 1 enclosure with hinged cover. It includes a 2-pole relay and terminal block for easy wiring. The SCM-120 is appropriate for use with relay panels and is UL Listed.

PRODUCTS



SCM-120
Snow Melt
Timer Control



SMP
Snow Melting
Plaque



RLY-Series
Relay Panels

SCM-120

SNOW MELT TIMER CONTROL FOR ROOF & GUTTER

Specifications

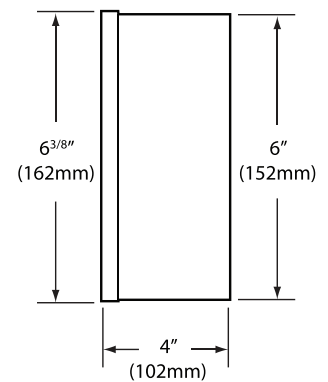
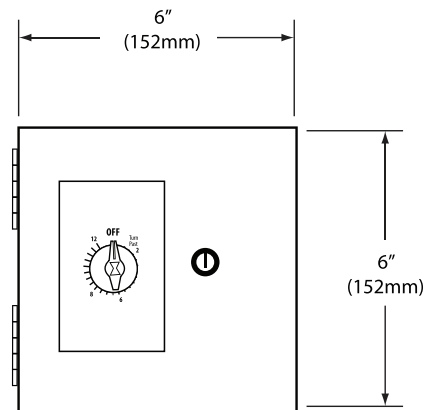
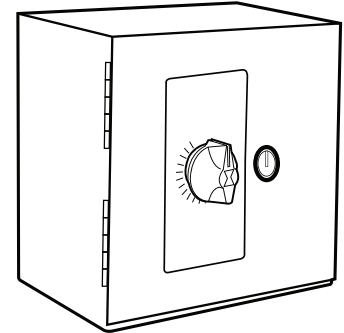
SCM-120 Snow Melt Timer Control

Area of use	Nonhazardous locations
Approvals	UL Listed 109R Type 873 Temperature Regulating Equipment
Protection	NEMA 1
Mounting	Wall mount

RLY-Series

Model	RLY-4PL
Enclosure	NEMA 1
Dimensions	10" x 8" x 4" (254mm x 203mm x 102mm)
Contains	2 relays for a total of 4 poles
Controls	4 circuits at 120 VAC or 277 VAC or 2 circuits at 208 VAC or 240 VAC
Model	RLY-8PL
Enclosure	NEMA 1
Dimensions	12" x 10" x 4" (305mm x 254mm x 102mm)
Contains	4 relays for a total of 8 poles
Controls	8 circuits at 120 VAC or 277 VAC or 4 circuits at 208 VAC or 240 VAC
Model	RLY-12PL
Enclosure	NEMA 1
Dimensions	16" x 12" x 4" (406mm x 305mm x 102mm)
Contains	6 relays for a total of 12 poles
Controls	12 circuits at 120 VAC or 277 VAC or 6 circuits at 208 VAC or 240 VAC

NOTE: Relays do NOT contain circuit breaker devices



ORDERING

Accessories

SMP Snow Melting Plaque

LIMITED WARRANTY

WarmlyYours' two year limited warranty covering defects in workmanship and materials applies. Contact Warmly Yours at (800) 875-5285 or go to www.WarmlyYours.com for complete information

For more information, operating and technical manuals, please refer to www.warmlyyours.com.

**Product specifications are subject to change.*