

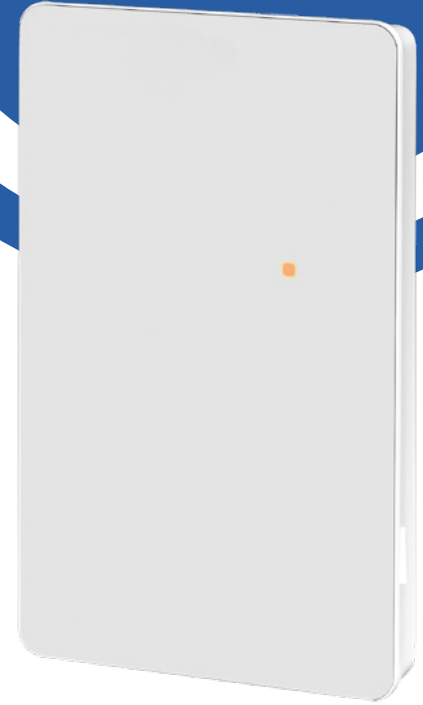


**WarmlyYours** 

Be Connected.  
Be Warm. Be Radiant.

# nJoin 2.0 Power Module

USG5-4999



Some floor heating jobs are just too large for a single radiant heating thermostat to handle alone. The nJoin 2.0 power module is here to help you heat those larger projects.

The refined and modern-looking nJoin 2.0 links up to your radiant heating thermostat to increase the electrical output in 15 amp increments per module. This will help your heating system cover additional areas or large rooms, like basements, with a single thermostat.

The nJoin 2.0 features an attractive update to its design and is equipped with a dual-color LED indicator, offering a straightforward visual display of the unit's status for effortless monitoring and troubleshooting.

Comes with two connectors that feature screw terminals for safe and easy installs.

## Product Specifications

SKU	USG5-4000	Dimensions (H/W/D)	4.98" / 3.09" / 0.46"
MSRP	\$149	GFCI:	Class A (5 mA trip level)
Supply	120 / 208 / 240 Vac 50/60Hz	Fits standard wall box (H/W/D):	3" / 2" / 2"
Load:	15 A maximum (resistive load)	Supported Thermostats	nJoy, nTrust 2.0, nSpire Touch WiFi, nSpire Touch, nTrust, and nHance
Power	1,800 W at 120 Vac 3,120 W at 208 Vac 3,600 W at 240 Vac		



WarmlyYours 

Be Connected.  
Be Warm. Be Radiant.

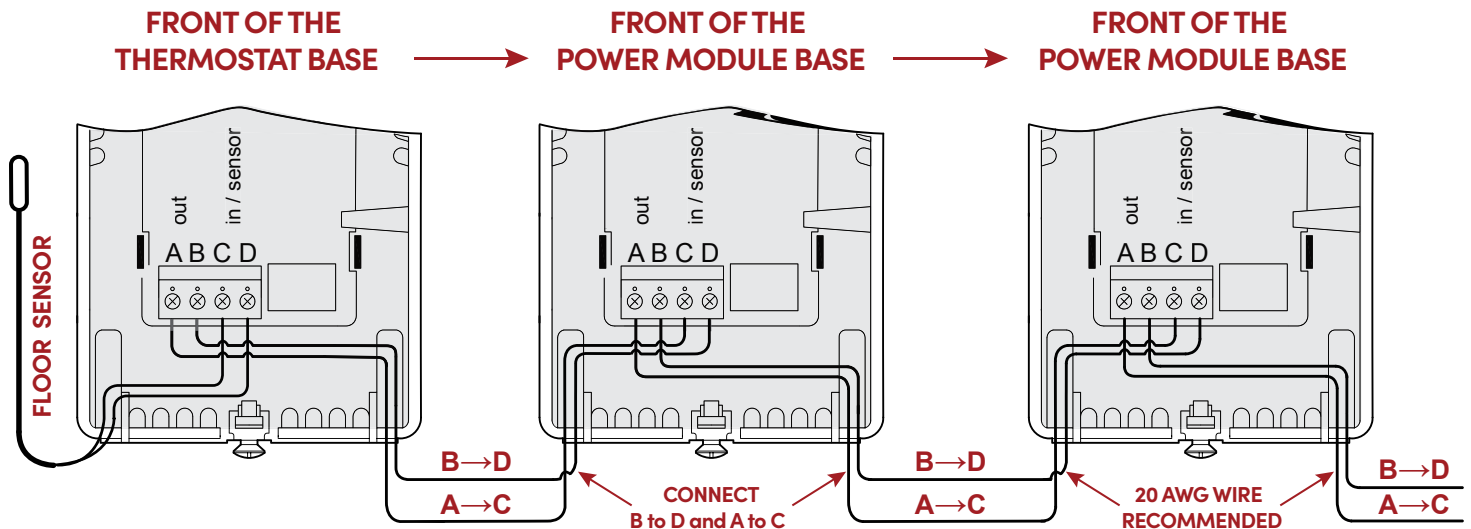
nJoin 2.0

Power Module

USG5-4999

## Key Features

- ✔ **Great for Large Projects:** This device helps your main radiant heating thermostat handle larger projects.
- ✔ **Two Connectors with Screw Terminals:** These help make final connections in the field easier and safer.
- ✔ **Sleek and Modern Design:** This updated power module represents the fusion of form and function.
- ✔ **Safety Assured:** cULus listed with a built-in GFCI for peace of mind.
- ✔ **Extensive Compatibility:** Works with current (nJoin and nTrust 2.0) and previous (nSpire Touch WiFi, nSpire Touch, nTrust and nHance) thermostats.
- ✔ **Warranty Info:** This product is covered by a limited 3-year warranty and lifetime 24/7 technical support.



**Caution:**

If the primary and secondary relays are connected incorrectly, the secondary relay will be constantly pulled.  
- The floor might overheat