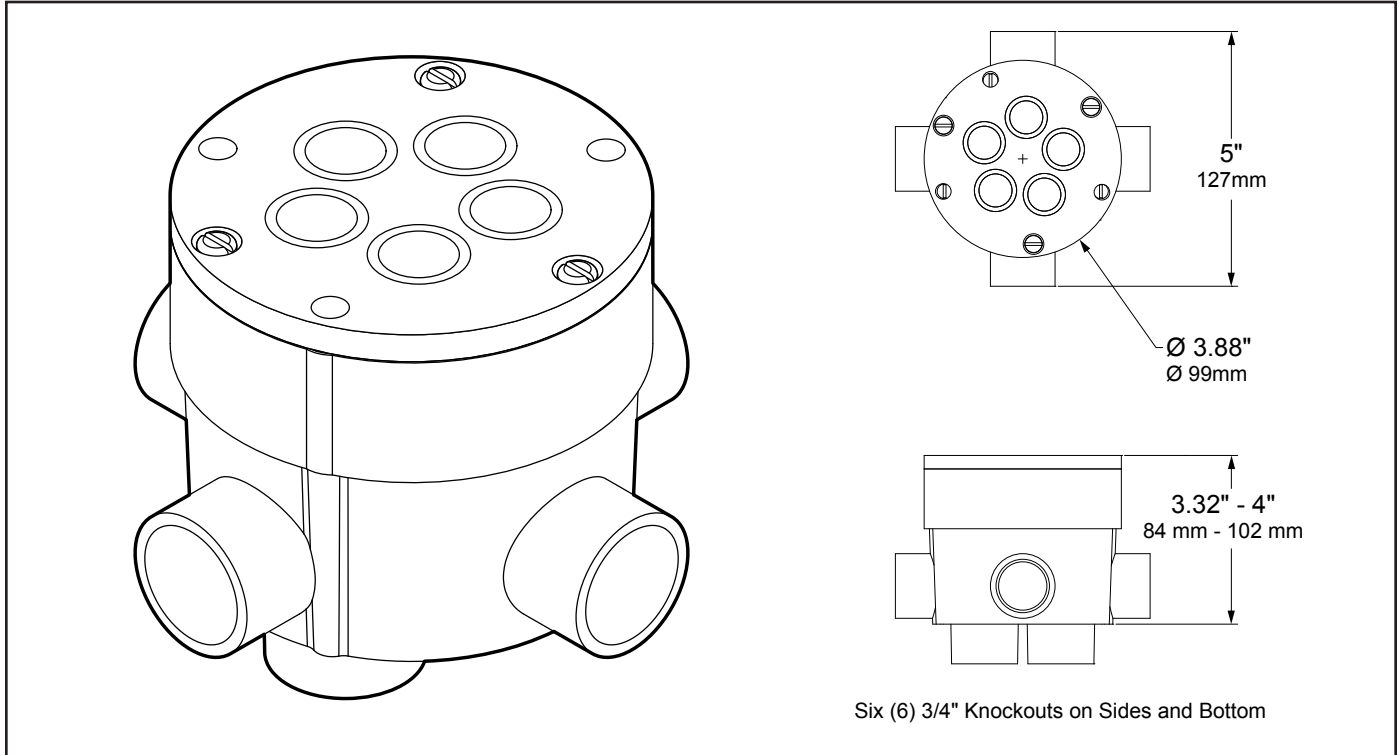


FEATURES & BENEFITS

- Control based upon pavement conditions
- Rugged construction
- Simple installation
- Low voltage operation
- Reliable snow melting
- Minimum energy cost
- Long trouble-free life



DESCRIPTION

The SIT-6E, which replaces the SIT-5E, reliably detects snow and ice conditions on pavement surfaces when used with any APS series or EUR-5A Control Panel. This ensures that deicing heaters operate only while needed, which minimizes energy costs without sacrificing snow melting effectiveness. A built-in hold-on timer keeps heaters operating for an hour after snow stops to help ensure complete snow melting.

The SIT-6E senses snow as moisture detected between below 38°F (3.3°C). Operation in the 32° to 38°F (0°

to 3.3°C) temperature range eliminates otherwise slow melting.

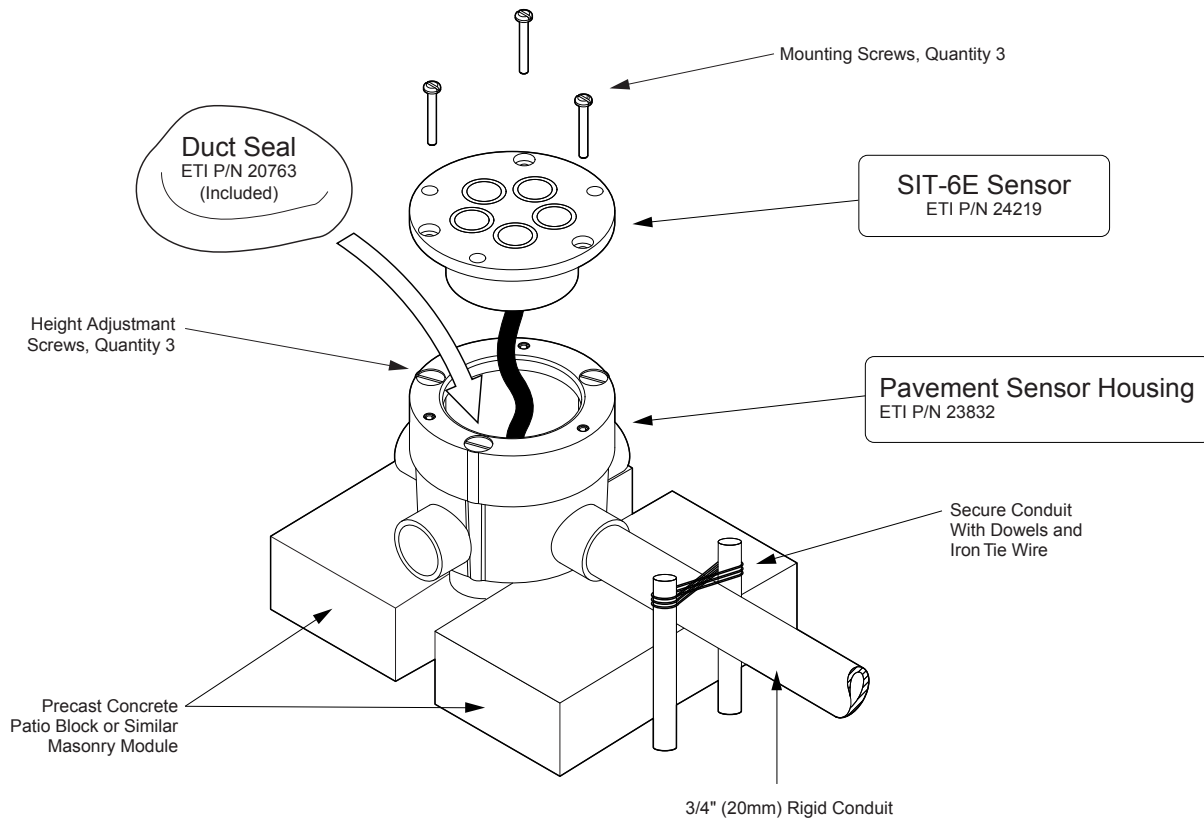
The SIT-6E accurately measures pavement temperature by compensating for its internal heating. This eliminates the cost and complexity of a separate pavement temperature sensor. For improved efficiency, the SIT-6E mounts close to the deicing heaters to ensure that pavement and sensor become dry at about the same time.

The new mounting system helps align the SIT-6E with the pavement surface. Six available conduit locations

add to installation flexibility and simplicity. The sensor subassembly is field replaceable without disturbing the pavement. The SIT-6E is a NEC Class 2 low voltage device which simplifies installation.

Only brass, epoxy, and stainless steel are exposed to the pavement surface. Precision machining gives these products a handsome appearance that will please the building owner, engineer, and architect.

Typical Installation



SIT-6E Installation Drawing

NOTE: The output signal of an SIT-6E pavement sensor is not a contact closure — it is a solid state switch compatible only with Environmental Technology's APS, EUR, and Pro Series control product lines. If a contact closure is desired for an output signal, please select from our HSC series of pavement sensors.

ORDERING INFORMATION

Description

SIT-6E Pavement-Mounted Sensor (requires Pavement Sensor Housing)
Pavement Sensor Housing

LIMITED WARRANTY

ETI's two year limited warranty covering defects in workmanship and materials applies. Contact Customer Service for complete warranty information.

DISCLAIMER

Environmental Technology, Inc. makes no representations or warranties, either expressed or implied, with respect to the contents of this publication or the products that it describes, and **specifically disclaims any implied warranties of merchantability or fitness for any particular purpose.** Environmental Technology, Inc. reserves the right to revise this publication, and to make changes and improvements to the products described in this publication, without the obligation of Environmental Technology, Inc. to notify any person or organization of such revisions, changes or improvements.