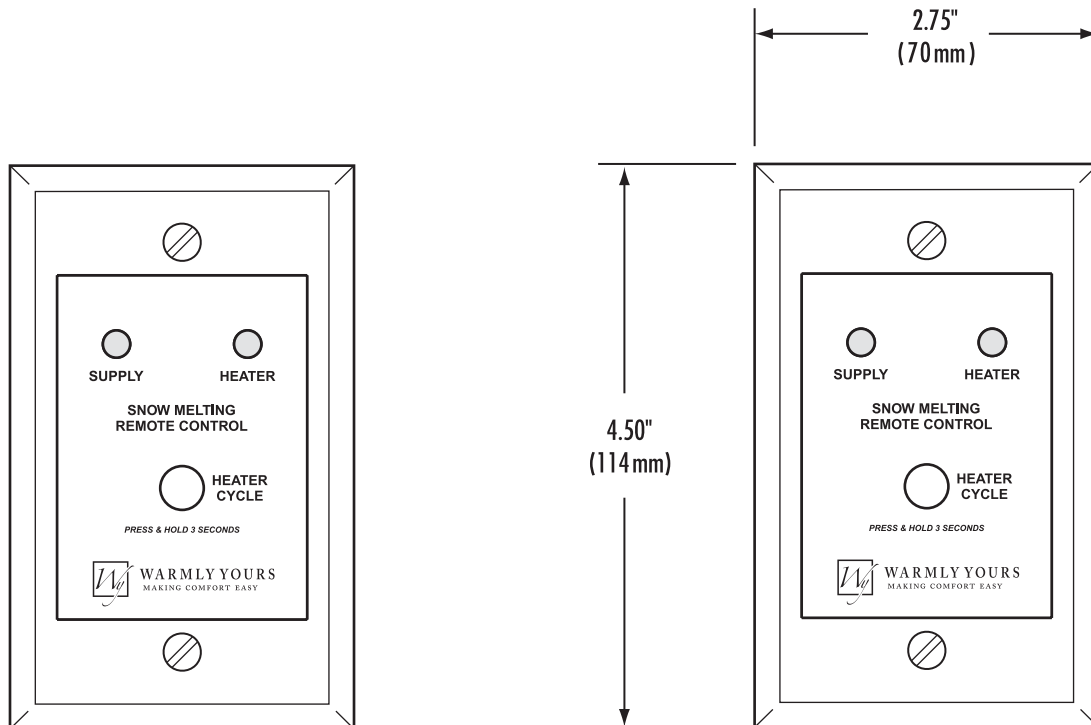


FEATURES & BENEFITS

- Supervise snow/ice melting from a convenient location
- Complete melting under unusual environmental conditions
- Easy to install and affordable
- Manual override allows user greater control



DESCRIPTION

The Remote Control Override, RCO, is an accessory for use with the SCP-120 Premium Snow Melt Control and the SCADUAL Advanced Control. Control panels are usually located with other building mechanical and electrical equipment. The RCO provides a convenient and economical means of monitoring and controlling a snow/ice melting system from a remote location.

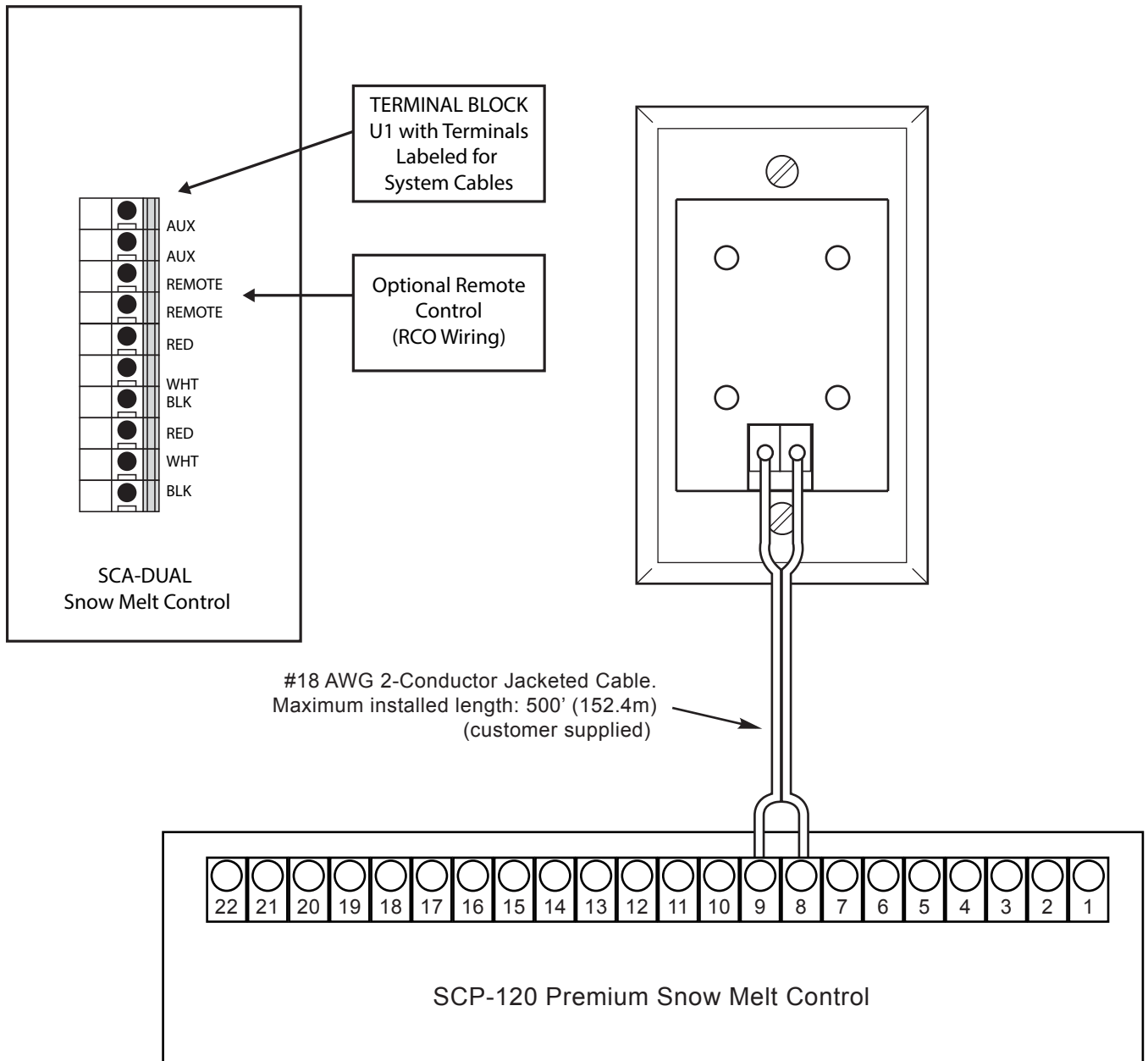
Environmental conditions sometimes require overriding automatic heater operation. Typical examples include situations where the sensor is not exposed to drifting or tracked snow and slush. Locations such as parking garage entrances, building portals and loading docks are often

exposed to tracking problems. Additionally, spring and fall storms can deposit heavy, wet snow at a rate the heaters cannot melt. Operating the heaters for the hold-on time generally resolves these problems.

The RCO provides a switch for operating the heaters for the hold-on time. Indicators show the status of the snow/ice melting system.

The RCO mounts in an indoor single-gang switch box suitable for either a flush or surface mounted installation. It is wired to the control panel. Maximum distance from SCP-120 control panel up to 500' (152.4m) of #18 wire via a NEC Class 2 low voltage circuit.

TYPICAL INSTALLATION



ORDERING INFORMATION

ORDER NUMBER	DESCRIPTION	SNOW MELT CONTROL (SOLD SEPARATELY)
RCO	RCO REMOTE CONTROL OVERRIDE SCP-120 AND SCA-DUAL SNOW MELT CONTROLS	SCP-120 PREMIUM SNOW MELT CONTROL SCA-DUAL SNOW MELT CONTROL

LIMITED WARRANTY

WarmlyYours 2-year limited warranty covering defects in workmanship and materials applies. Contact your Account Manager for complete warranty information.

This document is the property of WarmlyYours. Subject to change without notice.

8 2021