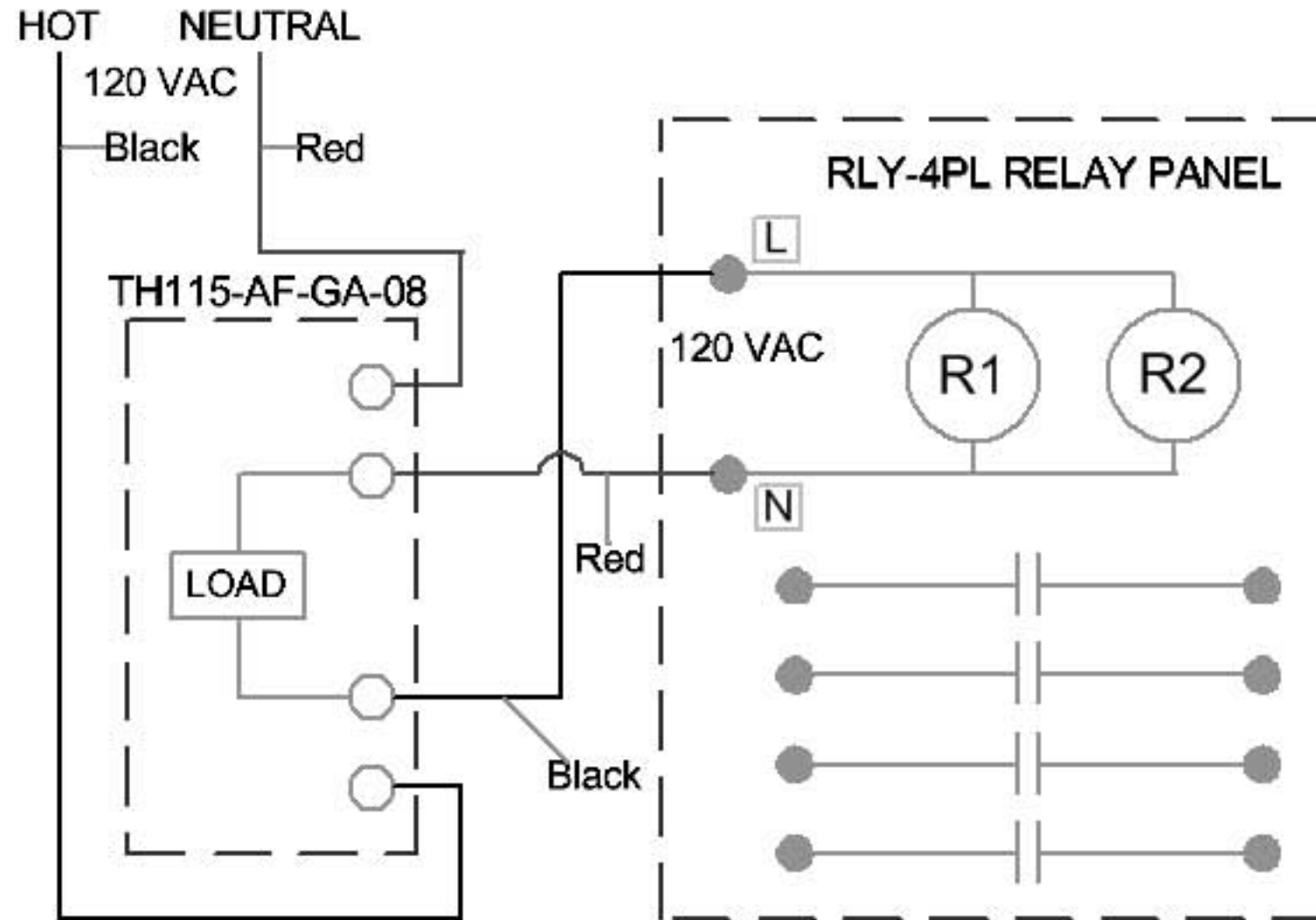


WARMLYYOURS RADIANT HEATING

TYPICAL WIRING SCHEMATIC TH115-AF-GA-08 THERMOSTAT CONTROL WITH RLY-4PL RELAY PANEL



NOTE: TH115 Dual Voltage Thermostat must be wired 120 VAC only.
This is the Control voltage, and the relay panel coil voltage is only 120 VAC
All mat / cable heaters must be wired to the relay panel only.
The thermostat will only be used as a 120 VAC signal device (do NOT wire any of the heaters to it)