



**WARMLYYOURS**  
RADIANT HEATING

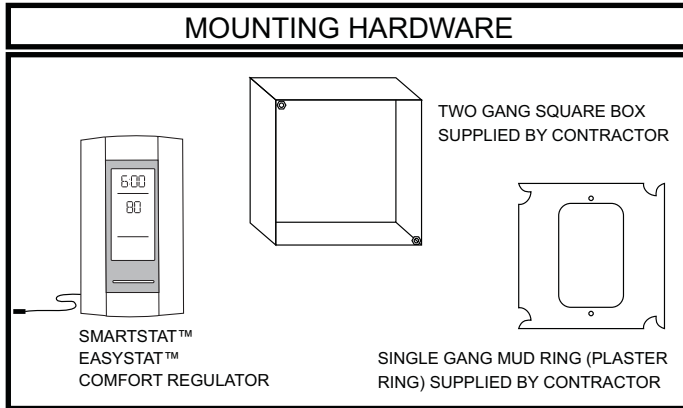
# WIRING DIAGRAM

FOR 120V & 240V TWIN CONDUCTOR TEMPZONE WITH  
SMARTSTAT™ / EASYSTAT™ / COMFORT REGULATOR

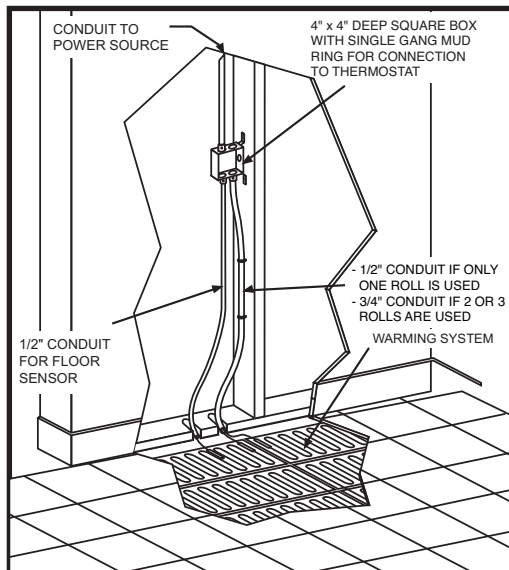
ITEM #: TH115-AF-GA  
ITEM #: TH114-AF-240GA  
ITEM #: TH113-R-GA-08

## FOR ELECTRICIAN

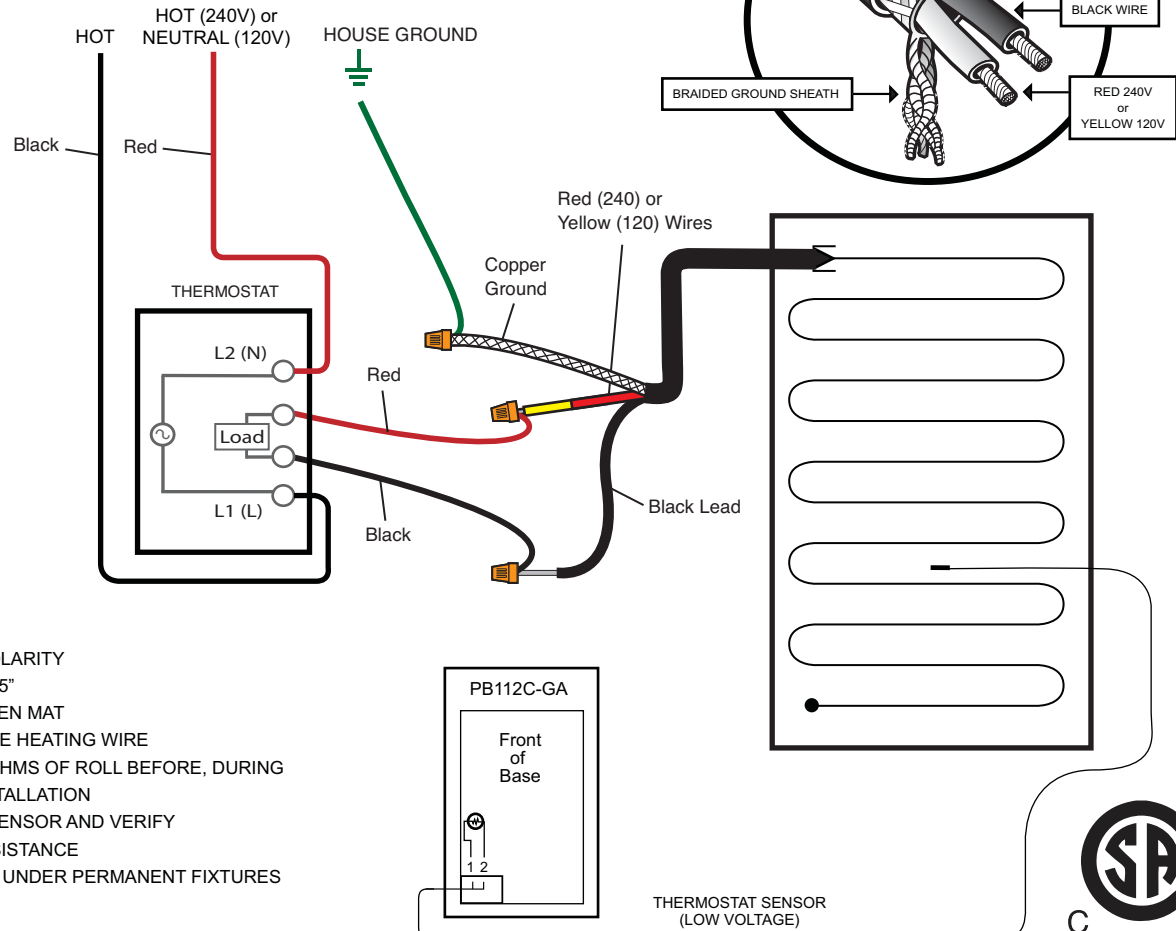
### MOUNTING HARDWARE



### ELECTRICAL ROUGH-IN



### FROM POWER SOURCE 120V & 240V



1. MAT HAS **NO** POLARITY
2. COLD LEAD IS 15"
3. **DO NOT** SHORTEN MAT
4. DO NOT CUT THE HEATING WIRE
5. ALWAYS TEST OHMS OF ROLL BEFORE, DURING AND AFTER INSTALLATION
6. ALWAYS TEST SENSOR AND VERIFY 8-15 K OHM RESISTANCE
7. NEVER INSTALL UNDER PERMANENT FIXTURES

**ENSURE THE SYSTEM IS GROUNDED**



30047 9/11

